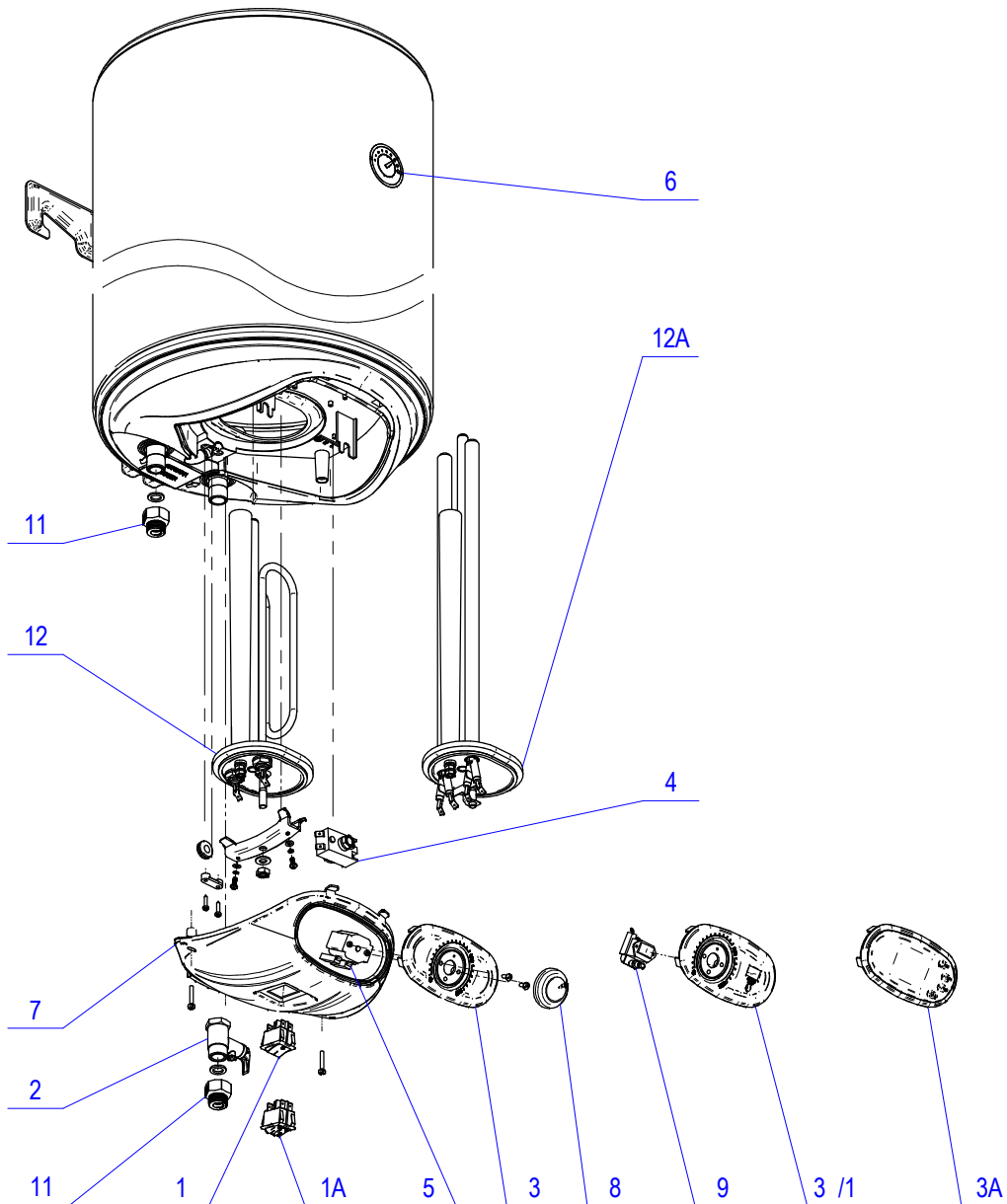
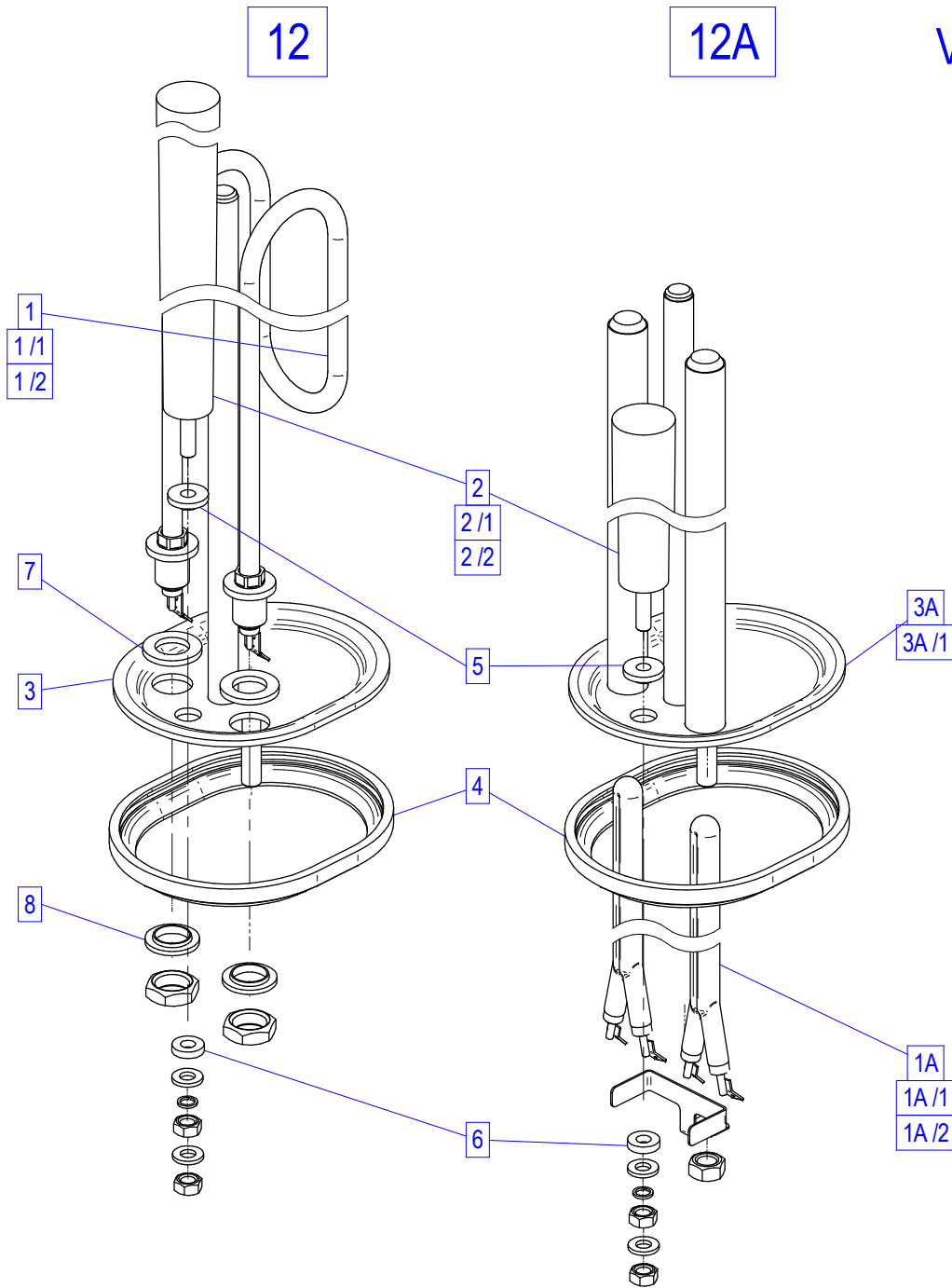


VERTICAL WATER HEATERAS FAVOURITE DESIGN AND EUREKA DESIGN (DRY HEATING ELEMENTS)



Pos.	Qty	Code	Name
1	1	1703060145	SWITCH BLACK
1A	1	997086	DOUBLE SWITCH BLACK
2	1	16000	SAFETY VALVE 1/2" METAL BODY
3	1	1703060110	PLASTIC PANEL FAVOURITE
3/1	1	1703060178	PLASTIC PANEL FAVOURITE (HOLES FOR ANODE TESTER)
3A	1	1703060484	ELECTRONIC CONTROLLER FOR 1-PHASE WH WITH ONE HEAT EXCHANGER
4	1	14583	THERMAL CUT-OUT 96°C
5	1	14338	THERMOSTAT 11-75°C
6	1	1612070249	TEMPERATURE INDICATOR ROUND
7	1	1703060046	PLASTIC COVER 30-120L FAVOURITE WITH HOLE FOR SWITCH
8	1	1612070241	THERMOSTAT WHEEL FAVOURITE
9	1	14300	ANODE TESTER
10	1	16121	WIRE SET FOR WATER HEATERS 30-200L
10A	1	16122	WIRE SET FOR WATER HEATERS WITH ANODE TESTER 30-200L
11	1	718046	DIELECTRIC FITTING



VERTICAL WATER HEATERAS FAVOURITE DESIGN AND EUREKA DESIGN (DRY HEATING ELEMENTS)

Pos.	Qty	Code	Name
1	1	1708230774	HEATING ELEMENT HC300230V11
1/1	1	1708230769	HEATING ELEMENT HC200230V10
1/2	1	1708230761	HEATING ELEMENT HC150230V10
1A	1	14649	DRY HEATING ELEMENT 1200W
1A/1	1	14648	DRY HEATING ELEMENT 1000W
1A/2	1	14647	DRY HEATING ELEMENT 800W
2	1	1708230784	ANODE PROTECTOR D22MM/26MM L=320MM (80 L. M2)
2/1	1	1708230786	ANODE PROTECTOR D22MM/26MM L=500MM
2/2	1	1708230783	ANODE PROTECTOR D22MM/26MM L=165MM
3	1	16003	FLANGE OVAL 30-200L
3A	1	718356	FLANGE ELLIPTIC 80-200L WITH DRY THE
3A/1	1	718690	FLANGE ELLIPTIC 30-50L WITH DRY THE
4	1	1000003560	FLANGE ELLIPTIC GASKET
5	1	14917	GASKET FOR ANODE PROTECTOR
6	1	16084	BUSH FOR ANODE PROTECTOR
7	1	14913	GASKET FOR HEATING ELEMENT
8	1	16087	BUSH FOR HEATING ELEMENT