



USER MANUAL

Manuale d'uso / Gebrauchsanweisung / Handleiding / Manuel d'utilisation



ELECTRIC WATER HEATER

Scaldacqua elettrico / Elektrowarmwasserspeicher /
Electrische boiler / Chauffe-eau électrique

Series / Serie / Serie / Serie / Séries

TTREV

Models / Modelli / Modelle / Modellen / Des modèles

● TTREV30 ● TTREV50 ● TTREV80 ● TTREV100



BEFORE THE FIRST USING YOUR ELECTRIC STORAGE WATER HEATER, CAREFULLY READ THIS OPERATION MANUAL

DEAR CUSTOMER!

Congratulations on your purchase of an electric water heater TTULPE.

Water heaters TTULPE are designed and manufactured in strict accordance with domestic and international standards guaranteeing operation reliability and safety.

Present manual applies to TTULPE models of TTREV. The full name of the model of your heater is specified in "Manufacturer's warranty" section (sub-section "Note of sale") and in the marking plate on the heater casing.

1. APPLICATION

Electric water heater (hereinafter referred to as the EWH) is designed to provide with hot water for domestic and industrial facilities having a cold water supply line pressure of not less than 0.05 MPa and not more than 0.75 MPa.

EWH shall be operated indoors in heated spaces and it is not designed for operation in continuous flow mode.

2. SCOPE OF SUPPLY

Water heater	- 1 pcs.
Safety valve of GP type	- 1 pcs.
Operation manual	- 1 pcs.
Installation kit	- 1 set
Packaging	- 1 pcs.

3. MAIN TECHNICAL CHARACTERISTICS

EWH power supply shall be within the range of 220-240 V. Supply network frequency 50 Hz \pm 1%. Volume of the inner tank and heating element power are specified in the marking plate on the casing. Thread diameter in water inlet and outlet pipes - G1/2 ".

The manufacturer reserves the right to make changes to the design, complete set and specifications of the heater without prior notice.

Model	EWH useful volume, l	Average heating time $\Delta T = 45^{\circ} \text{C}$ at 1.5 kW	Installation
TTREV30	30	1 h 03 min.	vertical / horizontal
TTREV50	50	1 h 45 min.	vertical / horizontal
TTREV80	80	2 h 48 min.	vertical / horizontal
TTREV100	100	3 h 30 min.	vertical / horizontal

4. DESCRIPTION AND PRINCIPLE OF OPERATION

The outside casing of the EWH is made of steel. Inner tanks have a special bio-glass-porcelain coating reliably protecting the inner surface against chemical corrosion. The space between the outside casing and the inner tank is filled with polyurethane foam - a modern, ecologically clean thermal insulation, which has the best heat-saving characteristics. TTREV models have two screwed nozzles: for inlet of cold water (Figure 1, p. 3) with a blue ring and for outlet of hot water (Fig. 1, p. 2) — with a red ring. The control knob, in all models, is on the front side of the EWH. (Fig. 1, p. 16).

Tubular heating element (THE), thermostat and thermal switch sensors are mounted on the removable flange. THE is used to heat water and thermostat provides with possibility of heating temperature regulation up to $+75^{\circ}\text{C}$.

Safety valve (Fig. 1, p. 5) operates as the check valve, ensuring protection of the water ingress from the water heater into the sewage system in case of pressure drop in the sewage system and in case of pressure rise in the tank at high water heating, as well as the functions of the safety valve, releasing overpressure in the tank at high water heating. During water heater operation water may leak out of the exhaust outlet pipe of the safety valve to relieve excessive pressure, which is made for the purpose of water heater safety. This outlet pipe shall remain open to the atmosphere and be installed constantly down.

Drainage of water from the safety valve exhaust pipe into the drain shall be provided with installation of the corresponding EWH drainage.

It is required regularly (at least once a month) to discharge a small amount of water through the exhaust pipe of the safety valve into the drain to remove lime deposits and to test the operating functionality of the valve. Handle (Fig. 1, p. 15) is intended to open the valve. It is necessary to control when operating water heater this handle to be in position closing water draining from the tank.

5. SPECIFYING SECURITY MEASURES

Electrical safety and corrosion protection of EWH are guaranteed only if there is an effective grounding in accordance with applicable electric installation rules and regulations.

Plumbing pipes and fittings shall conform to parameters of water main and have the required certificates of quality.

When installing and operating EWH the following is not allowed:

- To power EWH if EWH is not filled with water.
- To remove the protective cover when the power is on.
- Use EWH without grounding or use water pipes as grounding.
- To connect EWH to water supply with pressure exceeding 0.75 MPa.
- To connect EWH to the water supply without safety valve.
- To drain water from EWH with power switched on.
- To use spare parts not recommended by the manufacturer.
- To use water from the EWH for cooking.
- To use water containing impurities (sand, small stones), which might lead to EWH and safety valve breakdown.
- To modify design and installation dimensions of EWH brackets.

Ambient temperature shall be within the range of 5°C to 40°C. Water in freezing EWH at negative temperatures results in malfunction, which is not a warranty case.



Attention should be paid to children so that they do not play with EWH. EWH is not intended for use by persons (including children) with limited physical, sensory or mental capabilities, or by persons who do not know how to use the EWH, except for cases when this happens under the supervision or instructions by persons responsible for safety of the EWH.

During EWH operation, it shall be inspected regularly for proper health (absence of dripping, burning smell, wiring sparks, etc.). In the case of long interruptions in water heater operation, water supply failures, EWH shall be disabled and cold water inlet valve shall be shut off.

6. INSTALLATION AND CONNECTION

All installation, plumbing and electrical works shall be performed by qualified personnel.

7. ARRANGEMENT AND INSTALLATION

All installation, plumbing and electrical works shall be performed by qualified personnel.

EWH installation shall be performed in accordance with marking on the housing.

It is recommended to install EWH as close as possible to the place of hot water using to reduce heat loss in the pipes.

When choosing the place of installation it should be taken into account the total weight of EWH filled with water. Walls and floor with low carrying capacity should be strengthened accordingly. When drilling (making) holes in the wall consider cables, ducts and pipes in the wall.

EWH is suspended by brackets on hook anchors fixed in the wall. Hooks mounting on the wall shall exclude spontaneous movement of EWH brackets along them.

The manufacturer bears no liability for EWH falling associated with improper installation of anchors and their selection.

For EWH maintenance the distance from the protective cover to the nearest surface in the direction of the removable flange axis shall be at least 30 cm for all models.



In order to avoid damage of the user's and/or third parties' property in the event of a faulty hot water system, it is required to install EWH in spaces with waterproofing and drainage to the sewers, and in no case to place under items exposed to the water under EWH. When placed in unprotected areas a protective plate (not supplied) with drainage into sewers shall be installed under the EWH.

In case of placing EWH in hard-to-reach places in order to perform maintenance and warranty service (mezzanine floors, niches, ceiling voids, etc.), installation and dismantling of EWH is carried out by the user on his own or for his own account.

Note: safety tray is not included into the scope of EWH supply.

8. CONNECTION TO WATER MAINS

Cold water shall be supplied to EWH using pre-filter with water treatment level not less than 200 μm .

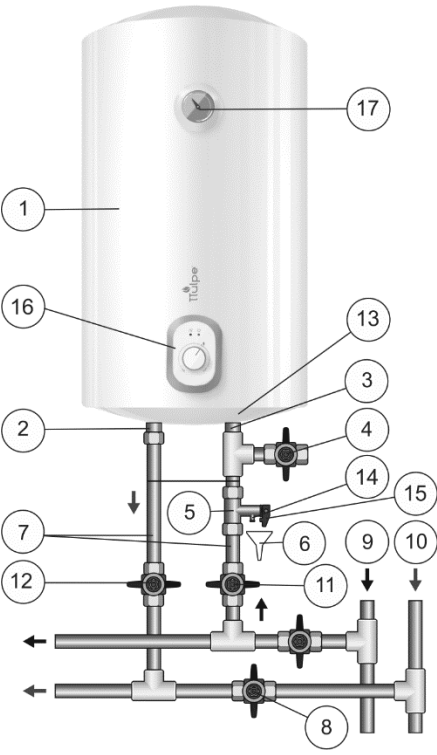
Install pressure relief valve (Fig. 1, p.5) at the cold water inlet (Fig. 1, p. 3) tube with the blue ring, by 3.5-4 turnings, ensuring junction tightness with any sealing material (flax, FUM tape, etc.).

During EWH operation you can observe water leak out of the outlet pipe of the safety valve for excessive pressure release to ensure safety of the water heater. It is recommended to connect to a drainage hole a rubber or silicone pipe of the relevant diameter for moisture removal.

Connection to the water supply line shall be carried out in accordance with Fig. 1 using copper, plastic pipes or special flexible sanitary wiring. Do not use any used flexible wiring. It is recommended to supply water to EWH through filter installed on the cold water main (not included in the scope of supply).



Do not use used flexible feed pipes. Do not operate the EWH without safety valve or with valve made by other manufacturers.



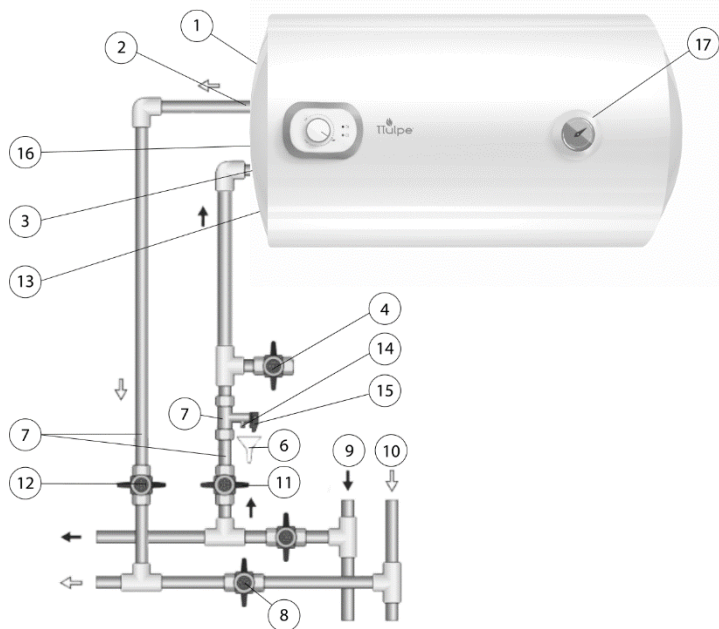


Figure 1. EWH connection diagram to water supply

Figure 1: 1 – EWH, 2 – hot water pipe, 3 – cold water pipe, 4 – drain valve (not in the scope of supply), 5 – safety valve, 6 – drainage (not in the scope of supply), 7 – feed pipe, 8 – shut off valve when EWH operation, 9 – cold water main, 10 – hot water main, 11 – cold water shut-off valve, 12 – hot water shut-off valve, 13 – protective cover, 14 – exhaust pipe of the safety valve, 15 – handle for opening pressure relief valve, 16 – control knob, 17 – temperature indicator.

After connecting EWH make sure that cold water shut-off valve is open and hot water shut-off valve (Fig. 1, p. 8) is closed. Open cold water tap in EWH (Fig. 1, p. 11), hot water outlet valve (Fig. 1, p. 12) and hot water tap on mixer to ensure outflow of air from the EWH. When the final EWH filling, water will continuously flow out of mixer tap. When connecting EWH in places not provided with water supply it is permitted to supply water in EWH from auxiliary tank using pumping station, or from reservoir placed at a height of not less than 5 meters over the top of EWH.

Note: for ease of maintenance during EWH operation it is recommended to install drain valve (Fig. 1, p. 4) in accordance with Fig. 1 (for models not equipped with drainage pipe (not in the scope of EWH supply)).

If the water pressure exceeds 0.75 MPa, at EWH cold water inlet, before the safety valve (in the direction of water flow), the appropriate pressure reducing valve (not supplied with the EWH) shall be installed to reduce water pressure to standard.

9. CONNECTION TO POWER SUPPLY

Prior to the water heater connection to electrical network, make sure its parameters complies with the technical specifications of the water heater.

ATTENTION! Prior to power activation make sure EWH is filled with water!

Water heater shall be earthed to ensure safe operation. EWH is equipped with the stationary power cable (option) with Europlug (option). Power outlet shall have an earth terminal with the connected earthing wire and located in the area protected from moisture, or comply with the requirements not less than IPX4.

10. OPERATION

The EWH is switched on/off by turning the indicator line on the control knob located on the protective cover of the water heater (Fig. 1, p. 16) to the "OFF" zone. The water temperature in the inner tank is adjusted using the control knob (Fig. 1, p. 16) in the range of values from "OFF" (minimum values) to "HIGH" (maximum values). The control indicator lamp displays the operating mode of the EWH - it glows when the water is heated and goes out when the set temperature is reached.

11. TECHNICAL MAINTENANCE

When performing maintenance scale on THE is checked. At the same time residue that may accumulate in the bottom of the EWH is removed. If there is scale on THE, it can be removed by using scale removing means or mechanically. It is recommended to hold the first technical maintenance after a year from the time of connection by experts of a specialized organization and depending on intensity of scale and residue to determine intervals of follow-up maintenance. This action will extend the maximum EWH service life.

The first replacement of the magnesium anode shall be made no later than 12 months from the date of EWH installation. In case of no mark of installation in warranty certificate with the seal of installation company, the period is calculated from the date of purchase. Regular periodic maintenance and annual replacement of the magnesium anode in time is imperative to maintain the manufacturer's warranty. Replacement of the anode must be accompanied by a mark in the warranty card in case of replacement by a service organization, or an attached sales receipt for its purchase in case of replacement by the owner.



ATTENTION: accumulation of scale on TEH may cause its damage .

Note: Damages to THE due to scale formation are not subject to warranty. Regular maintenance is not included in the warranty of the manufacturer and the seller.

The following shall be carried out for maintenance:

- Turn off EWH power;
- Cool hot water or discharge it through the mixer;
- Cut off supply of cold water into EWH;
- Unscrew the relief valve or open drain valve;
- To put on the cold water supply inlet or discharge valve a rubber hose, sending the other end down the drain;
- Open hot water tap on mixer and drain water from the EWH through the hose;
- Remove the protective cover, disconnect wires, unscrew and remove from the casing the removable flange;
- Clean if necessary THEs from scale and remove residue from the tank;
- Assemble, fill the EWH with water and power on.

In models with drain pipe, it is enough to cut off the flow of cold water into the EWH, unscrew the drain stub on drain pipe and open hot water tap. Once the water is discharged, you can open for a while cold water supply in EWH for additional tank washing.

When conducting EWH maintenance by forces of specialized organization mark with the seal of organization performing maintenance shall be made in service coupon.

12. POSSIBLE FAULTS AND REMEDIES.

Malfunction	Possible cause	How to fix
Hot water pressure from EWH decreased. Cold water pressure keeps at the level.	Clogged inlet safety valve	Remove the valve and clean it in water
Heating time increased	THE is covered with a layer of sludge	Remove the flange and clean the THE
	Supply voltage decreased	Contact power main operation service
Frequent tripping of thermal switch	The set temperature is close to the limit	Set lower value of water heating temperature
	Thermostat tube is covered with sludge	Take out the EWH the removable flange and gently clean the tube from scale

EWH operates but is not heating water	Valve (Fig. 1, p. 8) is not closed or out of order	Close or replace the valve (Fig. 1, p. 8)
Powered EWH does not heat water. No backlights of indicator lamps.	<ol style="list-style-type: none"> 1) No voltage in electric network; 2) Damaged power cord; 3) Thermal switch actuated and not switched on. 	<ol style="list-style-type: none"> 1) Check voltage at the electrical outlet; 2) Contact a qualified service center; 3) Disconnect from the power supply, remove EWH protective cover, press the button on thermal switch until you hear a click install the cover and turn on the power.

These faults are not defects of EWH and shall be fixed by the consumer or by a specialized organization at his own expense.

In case of failure to fix problems using the above recommendations or in case of others problems revealing you should contact the authorized service center listed in the operation manual.

13. TRANSPORTATION AND STORAGE OF ELECTRIC WATER HEATERS

Transportation and storage of electric water heaters shall be carried out in accordance with manipulation marks on the packaging:



– need to protect the goods from moisture;



– fragile, delicate handling;



– recommended storage temperature range from +5° to +40° C;



– correct vertical position of cargo.

14. DISPOSAL

When complying with the rules of EWH installation, operation and maintenance and when water quality complying with current standard the manufacturer sets EWH lifespan of 9 years from the date of purchase.

All parts of the heater are made of materials allowing, where appropriate, environmentally sound disposal which must be made in accordance with the rules and regulations of the country where the water heater is operated.

When disposing of the EWH comply with local environmental laws and guidelines.

The manufacturer reserves the right to make changes to the design and specifications of the heater without prior notice.

15. MANUFACTURER'S WARRANTY

The manufacturer sets 2 year as the period of warranty for water heater, and warranty period for parts and components is as follows:

- for water containing tank (inner tank) - 5 years;
- for other components (heating element, thermostat, indicator lights, gaskets, temperature indicator, pressure relief valve) - 2 years.

The warranty period is calculated from the date of EWH sale. If there is no or corrected date of sale and shop stamp, the warranty period is calculated from the date of EWH manufacture. Claims within the warranty period are accepted only on presentation of the warranty card with marks of the seller, and the identification plate on the casing of the EWH. Release date of a water heater is encoded in a unique serial number, located on the identification plate on the casing. EWH serial number consists of thirteen digits. The third and fourth digits of the serial number are year of manufacture, the fifth and sixth digits - month of release, the seventh and eighth digits - day of EWH release. Claims within the warranty period are accepted only on presentation of the guarantee card with marks of the seller, and the identification plate on the casing of the EWH.

The warranty shall apply to EWH only. Responsibility for compliance with principles of installation and connection shall be borne by the buyer (in case of connection by his own) or by the installer carrying out connection.

The first replacement of the magnesium anode shall be made no later than 12 months from the date of EWH installation. In case of no mark of installation in warranty certificate with the seal of installation company, the period is calculated from the date of purchase. Regular periodic maintenance and annual replacement of the magnesium anode in time is imperative to maintain the manufacturer's warranty. Replacement of the anode must be accompanied by a mark in the warranty card in case of replacement by a service organization, or an attached sales receipt for its purchase in case of replacement by the owner.

The manufacturer shall not be liable for defects due to violations of principles of installation, operation and maintenance of EWH set forth herein, including in cases where these defects have arisen due to invalid parameters of mains (electricity and water), where EWH is operated, and due to the intervention of a third party. Manufacturer's warranty does not cover claims for appearance of EWH.

16. INFORMATION ON THE MANUFACTURER

Manufacturer:

Guangdong Weber Electric Appliances Co., Ltd.

D01, Jianye Road, Science and technology Industry Garden, Shunde High-tech Industries Zone, Ronggui, Shunde, Foshan, Guangdong, China.

Made in PRC

All models have been certified and comply with requirements of European Directives: 2014/35/EU, 2014/30/EU and 2011/65/EU (RoHS).



NOTE OF SALE

Model _____ Serial No. _____

Date of sale _____, 20 ____ .

Dealer: _____

Dealer's representative
signature _____



The product is completed; I have no claims for the appearance of the product. Operation manual with the necessary marks is received. I have read, understood and accepted operation rules and warranty terms.

Customer's signature: _____



PRIMA DEL PRIMO USO DELLO SCALDACQUA LEGGERE ATTENTIVAMENTE IL PRESENTE MANUALE D'USO

GENTILE CLIENTE!

Ci congratuliamo con Lei per l'acquisto dello scaldacqua elettrico TTULPE!

Gli scaldacqua TTULPE sono progettati e prodotti nello stretto rispetto degli standard internazionali che garantiscono l'efficienza e la sicurezza dell'uso.

Il presente manuale è valido per i modelli TTULPE di serie TTREV. Il titolo completo del modello dello scaldacqua da Lei acquistato è indicato nella sezione del manuale «Contrassegno confermando la vendita» e sulla targhetta d'identità sul corpo dell'apparecchio.

1. APPLICAZIONE

Lo scaldacqua elettrico (qui di seguito «Lo scaldacqua») è la soluzione per fornitura dell'acqua calda nei locali ad uso abitativo e quelli industriali dotati della tubazione di acqua fredda con la pressione minima di 0,05 MPa e la pressione massima di 0,75 MPa.

La manutenzione dello scaldacqua avvenga negli ambienti chiusi e ben riscaldati, lo scaldacqua non è adatto al lavoro con il flusso di acqua continuo (quale scaldacqua istantanei).

2. KIT di fornitura

Scaldacqua elettrico	- 1 pz.
Valvola di sicurezza tipo GP	- 1 pz.
Manuale d'uso	- 1 pz.
Kit di installazione	- 1 kit
Imballaggio	- 1 pz.

3. PRINCIPALI CARATTERISTICHE TECNICHE

La tensione fornita allo scaldacqua deve corrispondere al valore pari a 220-240V. La frequenza della rete di alimentazione elettrica deve essere di 50Hz \pm 1 %. La capacità del serbatoio interno e la potenza della resistenza elettrica sono indicati sulla targhetta d'identità sul corpo dell'apparecchio. Il diametro della filettatura dei raccordi d'entrata e di uscita è G1/2".

Il produttore si riserva il diritto di riportare le variazioni nella dotazione, struttura e caratteristiche dello scaldacqua senza obbligo di preavviso.

Modello	Capacità utile dello scaldacqua, l	Tempo medio di riscaldamento, $\Delta T^{\circ}=45^{\circ}\text{C}$ con la potenza di 1.5 kW	Posizionamento
TTREV30	30	1 ore 03 minuti	vertical / orizzontale
TTREV50	50	1 ore 45 minuti	vertical / orizzontale
TTREV80	80	2 ore 48 minuti	vertical / orizzontale
TTREV100	100	3 ore 30 minuti	vertical / orizzontale

4. DESCRIZIONE E PRINCIPIO DI FUNZIONAMENTO DELLO SCALDACQUA

Il corpo esterno dello scaldacqua è realizzato del materiale acciaio. Il serbatoio interno ha il rivestimento speciale in biovetroporcellana che protegge a modo sicuro la superficie interna della corrosione elettrochimica. Lo spazio tra il corpo esterno ed il serbatoio interno è riempito con poliuretano schiumato che presente un'isolamento termico moderno ed ecologico con le ottime caratteristiche d'isolamento termico. I modelli TTREV sono dotati dei due raccordi filettati: per l'entrata dell'acqua fredda (Fig. 1, pos. 3) con l'anello di colore blu e per l'uscita dell'acqua calda (Fig. 1, pos. 2) – con l'anello di colore rosso. Sulla facciata dello scaldacqua di tutti i modelli è posizionato un pannello di comando (Fig. 1, pos. 16).

Sulle flange rimovibili sono montati i riscaldatori tubolari (resistenze elettriche) ed i sensori del termostato ed interruttore termico. La resistenza elettrica serve al riscaldamento d'acqua ed è controllata dal termostato che assicura la possibilità di regolazione graduale di temperatura di riscaldamento fino a $+75^{\circ}\text{C}$.

La valvola di sicurezza (Fig. 1, pos. 5) fa la funzione della valvola di ritegno che impedisce il ritorno dell'acqua dallo scaldacqua alla tubazione in caso del calo di pressione nella tubazione stessa ed anche in caso di salita di pressione in serbatoio durante il riscaldamento forte dell'acqua ed anche fa la funzione della valvola di protezione che evita sovrappressioni al serbatoio durante il riscaldamento forte dell'acqua. Durante il funzionamento dello scaldacqua l'acqua può gocciolare dall'attacco di scarico della valvola di sicurezza per lo scarico della pressione eccessiva che provvede la sicurezza dello scaldacqua. Questo attacco di scarico deve essere lasciato aperto all'atmosfera e deve essere previsto in pendenza continua verso il basso.

E indispensabile assicurare lo scarico d'acqua dall'attacco di scarico della valvola di sicurezza (Fig. 1, pos. 14) alla canalizzazione mediante l'apposito scarico (Fig. 1, pos. 6) previsto durante il montaggio.

E indispensabile provvedere regolarmente (minimo una volta al mese) allo scarico di una porzione piccola dell'acqua dall'attacco di scarico della valvola di sicurezza alla canalizzazione per lo scopo di pulizia del calcare e controllo di funzionalità della valvola di sicurezza. Una leva (Fig. 1, pos. 15) serve per aprire la

valvola di sicurezza. Occorre assicurare che durante il funzionamento dello scaldacqua la leva suindicata sia in posizione che chiuda lo scarico dell'acqua dal serbatoio.

5. INDICAZIONI DI SICUREZZA

La sicurezza elettrica dello scaldacqua è garantita solo in presenza della messa a terra efficace realizzata in conformità alle vigenti normative di montaggio elettrico.

L'alimentazione idrica e valvolame di ritenuta devono essere conformi ai requisiti della tubazione ed avere tutti i certificati di qualità obbligatori.

Non è ammissibile durante il montaggio e manutenzione dello scaldacqua:

- effettuare il collegamento elettrico dello scaldacqua non completamente pieno d'acqua;
- togliere la calotta di protezione con l'alimentazione elettrica accesa;
- usare lo scaldacqua senza messa a terra oppure utilizzare quale messa a terra i tubi idrici;
- connettere lo scaldacqua alla tubazione con la pressione superiore a 0,75 MPa;
- connettere lo scaldacqua alla tubazione in assenza della valvola di sicurezza;
- scaricare l'acqua dallo scaldacqua con l'alimentazione elettrica accesa;
- utilizzare ricambi non raccomandati dal Produttore;
- utilizzare l'acqua dallo scaldacqua per cucinare;
- utilizzare l'acqua contenente i pezzetti meccanici (sabbia, pietre piccole), che possono provocare il malfunzionamento dello scaldacqua e della valvola di sicurezza;
- cambiare la struttura e misure di montaggio delle staffa di sospensione dello scaldacqua.

La temperatura dell'ambiente in cui funziona lo scaldacqua deve essere compresa tra i limiti da 5°C fino a 40°C. Il congelamento dell'acqua nell'apparecchio in caso delle temperature sotto zero risulta nella sua rottura che non presenta il caso di garanzia.



Occorre prestare l'attenzione dei bambini e prevenire i suoi giochi con lo scaldacqua. Lo scaldacqua non è adatto a manutenzione eseguita dalle persone (incluso bambini) con le abilità fisiche, tattili e mentali limitate ed anche dalle persone non istruite sull'utilizzo dello scaldacqua all'eccezione dei casi in cui l'utilizzo si effettua sotto la sorveglianza oppure secondo le istruzioni delle persone responsabili della sicurezza dello scaldacqua.

Durante l'utilizzo dello scaldacqua occorre regolarmente fare delle verifiche del suo corretto funzionamento (assenza di perdite d'acqua, odore di bruciato, scintillamento del cablaggio, etc.). In caso della sospensione prolungata dell'uso dello scaldacqua, interruzione del funzionamento dell'alimentazione idrica o elettrica occorre scollegare lo scaldacqua dalla rete elettrica e chiudere il rubinetto dell'alimentazione di acqua fredda.

6. INSTALLAZIONE E COLLEGAMENTO

Tutti i lavori di montaggio, idraulici ed elettrici verranno eseguiti solo dal personale qualificato.

7. POSIZIONAMENTO ED INSTALLAZIONE

Tutti i lavori di montaggio, lavori idraulici ed elettrici verranno eseguiti solo dal personale qualificato.

L'installazione dello scaldacqua deve essere effettuata secondo la marchiatura sul corpo e secondo i dati dalla Tabella 1.

Si consiglia di collocare lo scaldacqua in massima prossimità dal punto di prelievo di acqua calda per evitare dispersioni di calore lungo le tubazioni.

Occorre considerare il peso totale dello scaldacqua con completo riempimento d'acqua nel processo di scelta di posto di fissaggio. Il muro ed il pavimento di scarsa robustezza richiedono rinforzamento. Ci vuole considerare l'eventuale presenza dei cavi elettrici, condotti e tubi nel processo di perforazione (esecuzione dei fori) del muro.

Lo scaldacqua viene appeso agganciando la staffa di sospensione del corpo agli ancoraggi, fissati in precedenza al muro. Il montaggio degli ancoraggi al muro deve escludere lo spostamento spontaneo delle staffa di sospensione dello scaldacqua lungo gli ancoraggi stessi.

Il Produttore non è responsabile dell'eventuale caduta dello scaldacqua in seguito al fissaggio scorretto degli ancoraggi e alla scelta sbagliata degli ultimi.

Per la manutenzione dello scaldacqua la distanza dalla calotta di protezione alla superficie più vicina in direzione dell'asse della flangia rimovibile deve essere minimo 30 centimetri per tutti i modelli.



AVVERTENZA! Per evitare il danno alla proprietà dell'utente e (o) delle persone terzi in caso di malfunzionamento dello sistema di fornitura dell'acqua calda occorre installare lo scaldacqua nei locali con pavimenti impermeabili e dotati dello scarico alla canalizzazione, in nessun caso non è consentito il collocamento sotto lo scaldacqua degli oggetti che possono essere danneggiati dall'acqua. In caso d'installazione nei locali non protetti occorre montare sotto lo scaldacqua una vasca di protezione con lo scarico nella canalizzazione.

Nel caso d'installazione dello scaldacqua nei posti difficilmente accessibili per manutenzione ed effettuazione dei servizi di garanzia (piani ammezzati, nicchie, controsoffitti, etc.) il montaggio e lo smontaggio dello scaldacqua va eseguito dall'utente oppure per conto dell'utente.

NB: una vasca di protezione non è inclusa nel KIT di fornitura dello scaldacqua.

8. COLLEGAMENTO IDRAULICO

E indispensabile alimentare lo scaldacqua con l'acqua fredda con utilizzo di pre-filtro con grado di filtraggio minimo di 200 µm.

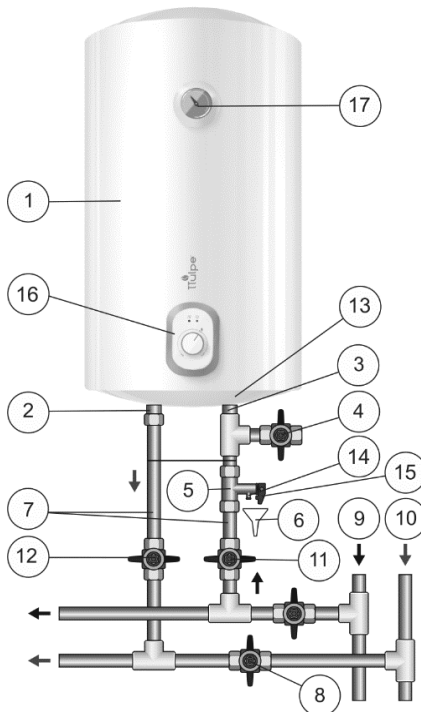
Montare la valvola di sicurezza (Fig. 1, pos. 5) all'entrata dell'acqua fredda (Fig. 1, pos. 3), un raccordo con anello di colore blu, a 3,5-4 giri assicurando la tenuta idraulica del collegamento con qualsiasi materiale di guarnizione (lino, nastro Teflon, etc.).

Durante il funzionamento dello scaldacqua l'acqua può gocciolare dall'attacco di scarico della valvola di sicurezza (si tratta dello scarico della pressione eccessiva). Si consiglia di raccordare all'attacco di scarico un tubo in gomma o silicone di idoneo diametro per lo scarico dell'acqua in eccesso.

Il collegamento idraulico si effettua secondo le indicazioni riportate sulla Fig. 1 esclusivamente a mezzo dei tubi di rame, tubi multistrato di tipo «M-pipes» (costituite da strati polimerici e metallici) o di plastica oppure dei raccordi flessibili idraulici. E vietato l'utilizzo dei raccordi flessibili idraulici già usati. Si consiglia di alimentare lo scaldacqua con l'uso di filtro defangatore montato sulla tubazione di acqua fredda (non in dotazione).



E vietato l'utilizzo dei raccordi flessibili idraulici già usati. E vietato la manutenzione dello scaldacqua in assenza della valvola di sicurezza oppure utilizzare una valvola fornita dagli altri produttori.



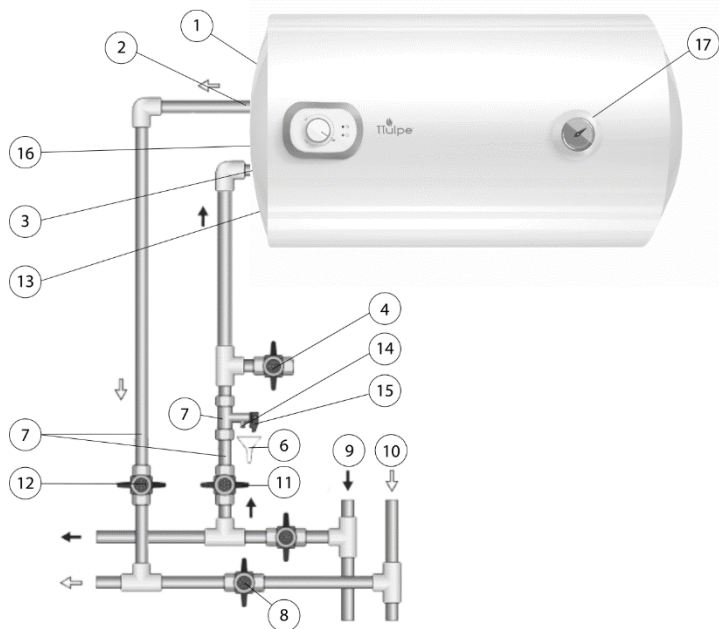


Fig. 1. Schema del collegamento idraulico dello scaldacqua

Fig. 1: 1 – Scaldacqua, 2 – raccordo per l’uscita dell’acqua calda, 3 – raccordo per l’entrata dell’acqua fredda, 4 – rubinetto di scarico (non in dotazione), 5 – valvola di sicurezza, 6 – scarico alla canalizzazione (non in dotazione), 7 – tubi di alimentazione, 8 – chiudere il rubinetto quando lo scaldacqua è in uso, 9 – tubo di acqua fredda, 10 – tubo di acqua calda, 11 – rubinetto dell’alimentazione di acqua fredda, 12 – rubinetto dell’uscita di acqua calda, 13 – calotta di protezione, 14 – attacco di scarico della valvola di sicurezza, 15 – leva di apertura della valvola di sicurezza, 16 – manopola di controllo, 17 – indicatore di temperatura.

Dopo che il collegamento idraulico sia effettuato assicurare che il rubinetto di intercettazione di acqua fredda dello scaldacqua sia aperto e che rubinetto di intercettazione di acqua calda dello scaldacqua (Fig. 1, pos. 8) sia chiuso. Aprire il rubinetto dell’alimentazione dello scaldacqua con l’acqua fredda (Fig. 1, pos. 11), il rubinetto dell’uscita di acqua calda dallo scaldacqua (Fig. 1, pos. 12) ed il rubinetto dell’acqua calda sul miscelatore per consentire l’uscita dell’aria interna dallo scaldacqua. Al riempimento completo dello scaldacqua si verificherà un flusso costante dal miscelatore. Chiudere il rubinetto dell’acqua calda sul miscelatore. Nel caso di collegamento dello scaldacqua nei locali non dotati dell’impianto d’alimentazione idrica è consentito l’alimentazione dello scaldacqua con l’acqua da un serbatoio installato all’altezza minima di 5 metri dal punto superiore dello scaldacqua oppure da un serbatoio ausiliario a mezzo di una stazione di pompaggio.

NB: per facilitare la manutenzione dello scaldacqua durante il suo uso si consiglia d'installare il rubinetto di scarico (Fig. 1, pos. 4) in conformità alle indicazioni fornite sulla Fig. 1 (per i modelli non dotati del raccordo di scarico (non è in dotazione)).

Nel caso esistesse una pressione di rete superiore a 0,75 MPa, è necessario applicare un adeguato riduttore di pressione (non in dotazione) all'entrata dell'acqua fredda allo scaldacqua a monte della valvola di sicurezza (prima della valvola di sicurezza rispetto del senso di corso d'acqua) per assicurare la riduzione della pressione fino a quella richiesta.

9. COLLEGAMENTO ELETTRICO

Prima del collegamento dello scaldacqua alla rete elettrica verificare che le caratteristiche della rete siano conformi ai requisiti tecnici dello scaldacqua.

AVVERTENZA! Prima dell'accensione di apparecchio occorre verificare che lo scaldacqua sia completamente riempito con l'acqua!

Lo scaldacqua deve avere messa a terra per assicurare il suo funzionamento sicuro. Lo scaldacqua è già cablato ed è provvisto di spina europea. La presa elettrica deve essere dotata della messa a terra con un filo a massa collegato e deve essere collocata nel posto protetto dall'umidità oppure soddisfare i requisiti non inferiori di IPX4.

10. FUNZIONAMENTO

Lo scaldacqua viene acceso/spento ruotando la linea dell'indicatore sulla manopola di controllo situata sul coperchio di protezione dello scaldabagno (Fig. 1, pos. 16) sulla zona "OFF". La temperatura dell'acqua nel serbatoio interno viene regolata tramite la manopola di comando (Fig. 1, pos. 16) nel range di valori da "OFF" (valori minimi) a "HIGH" (valori massimi). La spia di controllo mostra la modalità di funzionamento dell'EWB: si accende quando l'acqua viene riscaldata e si spegne quando viene raggiunta la temperatura impostata.

11. MANUTENZIONE TECNICA

Al manutenzione si verifica la presenza dell'incrostazione sulla resistenza elettrica. Nel medesimo tempo si provvede alla asportazione del calcare che dovesse formarsi in fondo dello scaldacqua. Se si verifica la presenza dell'incrostazione sulla resistenza elettrica si può procedere alla disincretazione con l'utilizzo dell'apposito detergente contro calcare oppure meccanicamente. Si consiglia di provvedere alla prima manutenzione tecnica dopo un anno dal momento in cui lo scaldacqua sia collegato da parte dei lavoratori delle organizzazioni specializzate, conseguentemente si potrà secondo l'intensità dell'incrostazione e del calcare riscontrata stabilire i termini delle seguenti manutenzioni. Queste misure prolungano al massimo la vita utile dello scaldacqua.

**AVVERTENZA! L'accumulazione del calcare sulla resistenza elettrica può provocare il suo danneggiamento.**

NB: Le condizioni di garanzia non includono la responsabilità per il danneggiamento della resistenza elettrica a causa dell'incrostazione. La manutenzione tecnica sistematica non è inclusa nell'elenco delle obbligazioni di garanzia del produttore e del venditore.

Quale le misure di manutenzione sono previste le azioni seguenti:

- togliere la tensione dallo scaldacqua;
- lasciare raffreddare l'acqua calda oppure scaricarla dal miscelatore;
- bloccare l'alimentazione dello scaldacqua con l'acqua fredda;
- smontare la valvola di sicurezza oppure aprire l'attacco di scarico;
- collegare all'attacco per l'entrata di acqua fredda o all'attacco di scarico un tubo in gomma e collegare l'altra estremità del tubo in gomma con la canalizzazione;
- aprire il rubinetto dell'acqua calda del miscelatore e svuotare lo scaldacqua dal tubo in gomma alla canalizzazione;
- togliere la calotta di protezione, scollegare i cavi elettrici, svitare ed estrarre la controflangia dal corpo dello scaldacqua;
- provvedere alla pulizia della tensione elettrica ed asportare il calcare del serbatoio interno in caso di necessità;
- rimontare lo scaldacqua, riempire d'acqua e ripristinare l'alimentazione elettrica.

Per i modelli che hanno in dotazione il raccordo di scarico è necessario solo bloccare l'alimentazione dello scaldacqua con l'acqua fredda, svitare il tappo che chiude il raccordo di scarico e aprire il rubinetto dell'acqua calda. Dopo lo svuotamento completo del serbatoio si può per un certo tempo ripristinare l'alimentazione dello scaldacqua con l'acqua fredda per assicurare il lavaggio ulteriore del serbatoio interno.

Alla manutenzione dello scaldacqua realizzata dall'organizzazione specializzata deve essere fatto un contrassegno corrispondente nel tagliando di garanzia.

12. EVENTUALI ANOMALIE DI FUNZIONAMENTO E MISURE DA ADOTTARE.

Anomalie riscontrate	Possibile causa	Rimedi
Si verifica perdita della pressione dell'acqua calda all'uscita dello scaldacqua. La pressione dell'acqua fredda d'entrata rimane invariata	Intasatura del foro d'entrata della valvola di sicurezza	Smontare la valvola e lavarla con l'acqua
Tempo di riscaldamento è diventato più lungo	Resistenza elettrica è coperta d'incrostazione	Estrarre la resistenza elettrica e provvedere alla pulizia del calcare
	La tensione in rete elettrica ha ribassato	Chiamare personale qualificato di manutenzione della rete elettrica
Interuttore termico interviene molto frequentemente	La temperatura selezionata è vicina alla temperatura di limite	Regolare il termostato nel senso d'abbassamento di temperatura
	Il tubo del termostato è coperto d'incrostazione	Estrarre dallo scaldacqua la flangia rimovibile e attentamente provvedere alla pulizia e asportazione del calcare del tubo
Lo scaldacqua è acceso ma non riscalda l'acqua	Il rubinetto (Fig. 1, pos.8) non è chiuso o non funziona	Chiudere o sostituire il rubinetto (Fig. 1, pos.8)
Lo scaldacqua connesso alla rete elettrica non riscalda l'acqua. Le lampadine spia sul pannello di comando non si accendono	<ol style="list-style-type: none"> 1) Manca la tensione in rete elettrica; 2) E danneggiato il cavo elettrico; 3) Intervento dell'interruttore termico o l'interruttore termico non riarmato. 	<ol style="list-style-type: none"> 1) Verificare la presenza della tensione nella presa elettrica; 2) Rivolgersi al centro di assistenza qualificator; 3) Disinserire l'apparecchio dalla rete elettrica, togliere la calotta di protezione, premere il gambo dell'interruttore termico fino ad avvertire un "click", montare la calotta di protezione e ripristinare l'alimentazione elettrica di rete.

Tutte le anomalie sopraindicate non presentano difetti dello scaldacqua e sono da essere eliminati dall'utente stesso oppure per conto dell'utente.

In caso in cui queste indicazioni non permettano di eliminare i difetti oppure in caso della rivelazione degli altri difetti occorre rivolgersi ai centri di assistenza tecnica.

13. TRASPORTO E STOCCAGGIO DEGLI SCALDACQUA ELETTRICI

Il trasporto e lo stoccaggio degli scaldacqua elettrici si effettuano in conformità ai simboli di manipolazione riportati sull'imballo:



Proteggere il carico dall'umidità;



Il carico è fragile, maneggiare con cura;



Temperatura raccomandata per lo stoccaggio del carico: da +5°C a +40°C;



Indica la posizione verticale corretta del carico.

14. SMALTIMENTO

Alla condizione dell'osservanza delle indicazioni per installazione, uso e manutenzione tecnica dello scaldacqua ed anche alla condizione della conformità di qualità dell'acqua utilizzata agli standard vigenti il produttore applica vita utile pari a 9 anni dalla data dell'acquisto dello scaldacqua.

Tutte le parti componenti dello scaldacqua sono prodotte dei materiali che consentono in caso di necessità il loro smaltimento sicuro per l'ambiente che deve essere effettuato secondo le normative e regolamenti del paese in cui lo scaldacqua è utilizzato.

Allo smaltimento dello scaldacqua occorre rispettare le leggi e le indicazioni locali in materia di protezione ambientale.

Il produttore si riserva il diritto di riportare le variazioni nella struttura e caratteristiche dello scaldacqua senza obbligo di preavviso.

15. GARANZIA DEL PRODUTTORE

Il produttore applica il periodo di garanzia per lo scaldacqua di 2 anni, invece per le parti componenti e prodotti di dotazione sono applicabili gli seguenti periodi di garanzia:

- per serbatoio interno contenente acqua - 5 anni;
- per altre parti componenti (riscaldatore, termostato, lampadine spia, guarnizioni, indicatore di temperatura, valvola di sicurezza) - 2 anni.

Il periodo di garanzia si calcola dalla data di acquisto dello scaldacqua. In assenza o visto l'alterazione della data di acquisto e timbro del negozio il periodo di garanzia si calcola dalla data di produzione dello scaldacqua. La data di produzione dello scaldacqua è codificata nel numero di matricola unico riportato sulla targhetta d'identità posta sul corpo dello scaldacqua. Il numero di matricola dello scaldacqua comprende tredici cifre. La terza a la quarta cifra codificano l'anno di produzione, la quinta e la sesta – mese di produzione, la settima e la ottava – il giorno di produzione dello scaldacqua. I reclami durante il periodo di garanzia si accettano solo all'esebizione del presente manuale d'uso contrassegnato dal venditore e della targhetta d'identità sul corpo dello scaldacqua.

La garanzia è valida solo per lo scaldacqua. Il malfunzionamento della valvola di sicurezza oppure del cavo d'alimentazione elettrica non risultano in sostituzione dello scaldacqua. La responsabilità dell'osservanza delle indicazioni per installazione e collegamento appartiene all'utente (in caso se effettuati dall'utente stesso) oppure all'organizzazione di montaggio che abbia eseguito il collegamento.

Il produttore non risponde per i difetti provocati da installazione, uso e manutenzione tecnico dello scaldacqua non conformi alle istruzioni fornite nel presente manuale d'uso da parte dell'utente incluso i casi di guasti conseguenti alle caratteristiche non idonee delle rete (elettrica e idraulica) con cui si usa lo scaldacqua ed anche conseguenti all'intervento di terzi. La garanzia di produttore non si applica in caso dei reclami per l'aspetto esteriore dello scaldacqua.

16. DATI DEL PRODUTTORE

Produttore:

Guangdong Weber Electric Appliances Co., Ltd.

D01, Jianye Road, Science and technology Industry Garden, Shunde High-tech Industries Zone, Ronggui, Shunde, Foshan, Guangdong, China.

Made in PRC

Tutti i modelli hanno i certificati obbligatori e rispondono ai requisiti obbligatori delle Direttive Comunitarie: 2014/35/EU, 2014/30/EU, 2011/65/EU (RoHS).



CONTRASSEGNO DI VENDITA

Modello _____ Numero di matricola _____

Data di vendita « ____ » _____ 20 ____

Venditore: _____

Firma del rappresentante
del venditore _____



Il prodotto comprende tutte le parti; Non ho nessun reclamo per l'aspetto esteriore del prodotto. Ho ricevuto il manuale d'uso con tutti i contrassegni necessari. Ho letto, compreso ed accettato le indicazioni all'uso e le condizioni di garanzia.

Firma del cliente _____



Bitte lesen Sie vor der ersten Benutzung des Warmwasserspeichers alle in dieser Anweisung aufgeführten Informationen aufmerksam durch.

Sehr geehrte Kunden!

Wir gratulieren Ihnen bei Anschaffung des elektrischen Warmwasserspeichers „TTULPE“. Wir sind überzeugt, dass eine breite Palette an elektrischen Warmwasserspeicher Ihre Anforderungen und Bedürfnisse abhelfen kann. Durch die Anwendung neuer Technologie und die Benutzung der hochwertigen Materialien konnte sich die Marke TTULPE die Popularität und das Vertrauen verschaffen

Der Warmwasserspeicher TTULPE wurde in strenger Übereinstimmung mit den einheimischen und internationalen Normen entwickelt und hergestellt, die die Zuverlässigkeit und Betriebssicherheit gewährleisten.

Diese Gebrauchsanweisung betrifft folgende TTULPE -Ausführungen: TTREV. Der Name des von Ihnen gekauften Warmwasserspeichers ist im Abschnitt „Verkauf-Vermerk“ und auf dem sich an dem Gehäuse des Warmwasserspeichers befindlichen Identifikationsschild angegeben.

1. BESTIMMUNG

Der Warmwasserspeicher (nachfolgend „Speicher“ genannt) ist für die Warmwasserversorgung der Wohn- und Betriebsobjekte, die über eine Kaltwasserleitung mit notwendigen Parametern verfügen, bestimmt.

Der Speicher ist in einem geschlossenen beheizbaren Raum zu installieren und ist nicht für den stetigen Durchlaufbetrieb vorgesehen.

Der Warmwasserspeicher (nachfolgend „Speicher“ genannt) ist für die Warmwasserversorgung der Wohn- und Betriebsobjekte, die mit der Kaltwasserleitung mit einem Druck von min. 0,05 MPa und max. 0,75 MPa ausgestattet sind.

2. LIEFERUMFANG

1. Warmwasserspeicher	1 St.
2. Sicherheitsventil Typ GP.....	1 St.
3. Bedienungsanleitung	1 St.
4. Verpackung	1 St.
5. Einbausatz	1 Satz

3. TECHNISCHE GRUNDDATEN

Die elektrische Spannung von allen Typen und Ausführungen der elektrischen Warmwasserspeicher soll 220-240 B. Die Frequenz der Speiseleitung ist 50 Hz \pm 1 %. Das Innentankvolumen und die Heizkörperleistung sind in der Identifikationstabelle am Gehäuse des Geräts angegeben. Der Gewindedurchmesser der Wassereinlass- und -auslassstutzen ist G1/2.

Der Hersteller behält sich das Recht vor, die Ausstattung, Ausführung und Eigenschaften des Warmwasserspeichers ohne Voranmeldung zu ändern.

Tabelle 1

Bezeichnung	Durchschnittliche Heizzeit um $\Delta T=45^{\circ}\text{C}$ bei einer Leistung von 1,5 kW
TTREV30	1 stunden 03 min.
TTREV50	1 stunden 45 min.
TTREV80	2 stunden 48 min.
TTREV100	3 stunden 30 min.

4. BESCHREIBUNG UND FUNKTION DES WARMWASSERSPEICHERS

Das Außengehäuse des elektrischen Warmwasserspeichers ist aus Stahl ausgeführt. Der Innentank hat eine Spezialbeschichtung aus Vitroporzellan, die die Innenfläche vor der chemischen Korrosion sicher schützen. Der Raum zwischen dem Außengehäuse und den Innenbehältern ist mit Polyurethanschaum, einer modernen umweltfreundlichen Wasserdichtung mit den besten Wärmeschutzeigenschaften gefüllt. Diese Ausführungen haben zwei Gewindestutzen: den Kaltwassereinlass (Bild 1, Ziffer 3) mit dem blauen Ring und den Warmwasserauslass (Bild 1, Ziffer 2) mit dem roten Ring. Auf der Unterseite des elektrischen Warmwasserspeichers befindet sich in allen Ausführungen das Bedienfeld (Bild 1, Ziffer 16).

Am abnehmbaren Flansch sind ein elektrischer Rohrheizer sowie Thermostat- und Theroschaltersensoren montiert. Der elektrische Rohrheizer dient zur Wasserheizung und ist thermostatgesteuert, wobei der Thermostat stufenweise auf bis zu $+75^{\circ}\text{C}$ eingestellt wird.

Der Sicherheitsventil (Bild 1, Ziffer 5) funktioniert als Rücklaufventil. Er läßt das Wasser aus dem Warmwasserspeicher in die Wasserleitung nicht reinfließen, falls gleichzeitig der Druck in der Wasserleitung abfällt und der Druck im Warmwasserspeicher steigt, indem das Wasser stark erhitzt. Während des Betriebes des Speichers kann das Wasser aus dem Auslaufrohr des Sicherheitsventils zur Überdruckabsenkung absickern. Das geschieht zur Sicherheit des Warmwasserspeichers. Dieses Auslassrohr ist für die Umluft offen zu erhalten und ist ständig nach unten zu richten und soll sich in der frostfreien Umgebung befinden.

Es ist notwendig, den Wasserzufuhr aus dem Auslaufrohr des Sicherheitsventils (Bild 1, Ziffer 14) in das Abwassersystem zu sichern. Dazu ist bei Installation des Speichers eine entsprechende Drainage vorzusehen (Bild 1, Ziffer 6).

Es ist notwendig, eine Menge Wasser über das Auslaufrohr des Sicherheitsventils in das Abwassersystem regelmäßig (mindestens einmal im Monat) zur Beseitigung der Kalkablagerung und zur Funktionsprüfung des Sicherheitsventils auslaufen zu lassen. Zum Öffnen ist der Sicherheitsventil mit einem Griff ausgestattet (Bild 1, Ziffer 15). Während des Betriebes des Warmwasserspeichers ist der Griff in der Zu-Position zu stehen.

5. SICHERHEITSMASSNAHMEN

Die elektrische Sicherheit des Speichers werden nur bei effektiver Erdung, die gemäß den Normen für Montage von elektrischen Geräten gemacht wurde, gewährleistet.

Der Sanitäranschluss und der Absperrarmatur müssen den Parametern der Wasserleitung entsprechen und über die notwendige Qualitätszertifikate verfügen.

Während der Installation und des Betriebs des Warmwasserspeichers ist nicht zugelassen:

- den Warmwasserspeicher an das Elektronetz anzuschließen, wenn er mit Wasser nicht gefüllt ist;
- die Schutzdecke vom eingeschalteten Gerät abzunehmen;
- den Warmwasserspeicher ohne Erdung in Betrieb zu nehmen;
- den Warmwasserspeicher an die Wasserleitung mit Druck von über 0,75 MPa anzuschließen;
- den Warmwasserspeicher an die Wasserleitung ohne Sicherheitsventil anzuschließen;
- das Wasser aus dem Warmwasserspeicher bei eingeschalteter Netzversorgung abzugeben;
- Ersatzteile, die vom Hersteller nicht empfohlen sind, einzubauen;
- das Wasser aus dem Warmwasserspeichers zum Kochen zu nutzen;
- Wasser, das mit Fremdstoffen (Sand, kleine Steine) belastet ist, zu nutzen, denn sie können die Funktion des Warmwasserspeichers und des Sicherheitsventils stören;
- Konstruktion und Befestigungsmaß der Konsolen des Speichers zu ändern.

Die Umgebungstemperatur, bei der der Warmwasserspeicher benutzt wird, soll zwischen 5°C und 40°C liegen. Ausfrieren von Wasser im Speicher bei Minustemperatur kann Betriebsausfall des Geräts zur Folge haben. Das ist kein Garantiefall.



Weisen Sie Ihren Kindern darauf hin, dass sie mit dem Warmwasserspeicher nicht spielen dürfen. Der Speicher soll nicht von Menschen (auch Kinder) mit körperlichen, taktilen oder psychischen Einschränkungen, sowie von Menschen, die mit dem Speicher nicht umgehen können, benutzt werden. Ausgenommen sind Fälle, wenn das unter Überwachung oder nach Anweisungen der Person, die für die Sicherheit des Warmwasserspeichers verantwortlich ist, erfolgt.

6. INSTALLATION UND ANSCHLUSS

Alle Installations-, Installateur- und Elektroarbeiten müssen durch geschultes Personal abgewickelt werden.

7. AUFSTELLUNG UND INSTALLATION

Die Aufstellung des Speichers erfolgt gemäß der am Gehäuse gekennzeichneten Markierung und in der Tabelle angegebenen Daten:

Bezeichnung	Austellung
TTREV30	Senkrechte Montage, Stutzen nach unten; Waagerechte Montage, Stutzen nach links
TTREV50	
TTREV80	
TTREV100	

Empfehlenswert ist, den Speicher in maximaler Nähe von der Stelle der Warmwasserverwendung aufzustellen, um Warmverluste in der Wasserleitung zu reduzieren.

Bei Bohren der Löcher in die Wand muss man die Anordnung der angelegten Kabel, Kanäle und Röhre berücksichtigen. Besitzen die Wände und der Boden ungenügende Tragfähigkeit, so müssen sie sachgerecht befestigt werden.

Der elektrische Warmwasserspeicher wird an den Gehäusekonsolen an den an der Wand zu befestigenden Ankerhaken gehängt. Die Montage der Haken in der Wand soll die spontane Bewegung der Konsolen ausschließen.

Zur Wartung des der elektrischen Warmwasserspeichers soll der Abstand zwischen dem Schutzdeckel und der nächsten Oberfläche in der Richtung der Achse des abnehmbaren Flansches für alle Ausführungen zumindest 30 cm betragen;



Um die Beschädigung des Vermögens des Benutzers und (oder) des Dritten durch Mängel des Warmwasserversorgungssystems zu vermeiden, soll der Speicher in einem Raum mit Bodenabdichtung und Drainage in Abwasserleitung installiert werden. Die wasserempfindlichen Gegenstände sollen unter dem Speicher nicht gestellt werden. Wird der Speicher in einem nicht geschützten Raum installiert, so ist eine Bodenwanne (nicht im Lieferumfang) mit Drainage in Abwasserleitung aufzustellen.

Wird der Speicher an für Wartung und Service schwerzugänglichen Stellen (Halbgeschoss, Mauernische, Zwischendecke u.a.) aufgestellt, so wird die Montage und die Demontage des Speichers durch den Kunden oder auf seinen Kosten durchgeführt.

Anmerkung: Die Bodenwanne ist im Lieferumfang des elektrischen Warmwasserspeichers nicht enthalten nicht.

8. WASSERANSCHLUSS

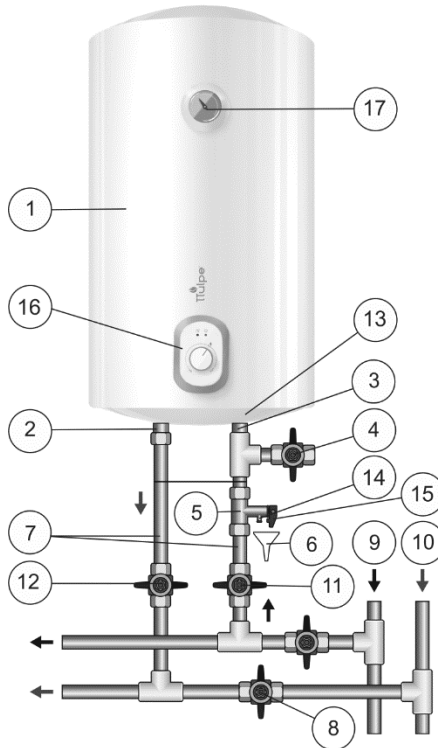
Verstellen Sie das Sicherungsventil (Bild 1, Ziffer 5) am Kaltwassereinlass (Bild 1, Ziffer 3), mit dem blauen Ring markiert, indem Sie es um 3,4 bis 4 Umdrehungen verdrehen und den Anschluss mit einem beliebigen Dichtungsmaterial (Lein, Gewindeabdichtungsband u.a.) abdichten.

! Es ist verboten, den Speicher ohne Sicherheitsventil zu benutzen oder das Sicherheitsventil eines anderen Herstellers einzubauen.

Während des Betriebs des elektrischen Warmwasserspeichers können Sie sehen, dass einzelne Tropfen aus dem Drainageschnabel des Sicherungsventils heraustreten (Überdruckabbau bei der Wassererhitzung). Es wird empfohlen, an den Drainageschnabel einen Gummi- oder Silikon Schlauch mit entsprechendem Durchmesser zur Wasserableitung anzuschließen.

Der Wasseranschluss erfolgt gemäß Abb. 1 mittels Kupfer-, Kunststoffverbund- oder Kunststoffrohr, sowie mittels einer speziellen flexiblen Verbindung. Es ist verboten, gebrauchte flexible Verbindung zu verwenden. Es wird empfohlen, Wasser zum elektrischen Warmwasserspeicher durch einen Schmutzfilter an der Kaltwasserleitung zu leiten (nicht im Lieferumfang enthalten).

Bild 1. Wasseranschluss



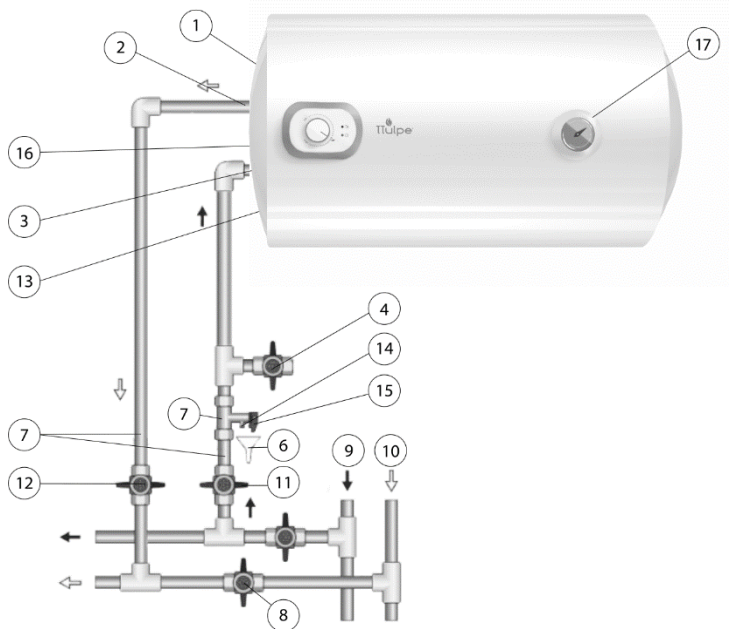


Bild 1: 1 – Speicher, 2 – Warmwasserleitung, 3 – Kaltwasserstutzen, 4 – Ablassventil, 5 – Sicherheitsventil, 6 – Drainage zur Entwässerung, 7 – Leitung, 8 – während des Betriebs des Speichers Ventil absperren, 9 – Kaltwasserleitung, 10 – Warmwasserleitung, 11 – Kaltwasser-Absperrventil, 12 – Warmwasser-Absperrventil, 13 – Schutzdecke, 14 – Ablassrohr des Sicherungsventils, 15 – Griff zum Öffnen des Sicherungsventils, 16 – Bedienknopf, 17 – Temperaturanzeige.

Nach Wasseranschluss öffnen Sie den Kaltwasserversorgungsventil (Bild 1, Ziffer 11), Warmwasserzufuhrventil (Bild 1, Ziffer 12) und den Warmwasserhahn am Mischbatterie, um den Speicher zu entlüften. Sobald der Warmwasserspeicher mit Wasser gefüllt wird, läuft das Wasser aus Warmwasserhahn blasenfrei aus. Dann ziehen Sie den Warmwasserhahn zu.

Wird der Speicher an einer Stelle ohne Wasserrohrleitung anmontiert, so kann das Wasser in den Speicher aus einem zusätzlichen Behälter mittels Pumpe oder aus einem Behälter, der in Höhe von 5 m von dem oberen Rand des Speichers aufgestellt wird, zugeführt werden.

Anmerkung: Für eine einfachere Wartung des elektrischen Warmwasserspeichers bei dem Betrieb wird empfohlen, ein Ablassventil (Bild 1, Ziffer 4) in Übereinstimmung mit Bild 1 zu installieren (für die mit dem Ablassventil nicht ausgestatteten Ausführungen (nicht im Lieferumfang des elektrischen Warmwasserspeichers enthalten)).

Wenn der Wasserrohrleitungsdruck 0,7 MPa übersteigt, ist ein Druckreduzierventil (nicht im Lieferumfang des elektrischen Warmwasserspeichers enthalten) bei

Kaltwassereintritt vor dem Sicherheitsventil zur Verringerung des Kaltwasserdrucks bis zur Drucknorm einzubauen.

9. ELEKTRISCHER ANSCHLUSS



Vor der elektrischen Inbetriebnahme stellen Sie sicher, dass der Warmwasserspeicher mit Wasser gefüllt ist.

Der elektrische Warmwasserspeicher ist mit einem Standard-Netzka- bel mit Stecker ausgestattet.

Die Steckdose soll mit einer Erdklemme ausgestattet werden und sich an einer wassergeschützten Stelle befinden.

Die Leistung des Geräts ist 1500 W. Die Steckdose und ihre Versorgungsleitung sind für eine Nennleistung von min. 1500 W auszulegen.

Stecken Sie den Stecker in die Steckdose.

10. BETRIEB

Das speicher wird ein-/ausgeschaltet, indem die Anzeigelinie am Bedienknopf auf der Schutzabdeckung des Warmwasserbereiters (Bild 1, Ziffer 16) auf die „OFF“-Zone gedreht wird. Die Wassertemperatur im Innentank wird mit dem Drehregler (Bild 1, Ziffer 16) im Wertebereich von „OFF“ (Minimalwerte) bis „HIGH“ (Maximalwerte) eingestellt. Die Kontrollleuchte zeigt den Betriebszustand des speicher an - sie leuchtet, wenn das Wasser erhitzt wird und erlischt, wenn die eingestellte Temperatur erreicht ist.

11. WARTUNG



Die Ansammlung von Kesselstein auf dem Rohrheizkörper kann die Beschädigung zur Folge haben.

Die Beschädigung des Rohrheizkörpers ist kein Garantiefall. Die Garantieverpflichtungen des Herstellers und des Verkäufers umfassen die regelmäßige Wartung nicht.

Bei Durchführung der Wartungsarbeiten:

- den Speicher abschalten und vom Stromnetz trennen.
- das Warmwasser abkühlen oder abfließen lassen.
- Kaltwasserzufuhr absperren.
- das Sicherheitsventil entfernen oder das Entleerungsventil öffnen;
- den Gummischlauch auf das Kaltwasserzufuhrrohr aufsetzen und das zweite Schlauchende an die Abwasserleitung anschließen; Warmwasserhahn aufdrehen und den Speicher über den Schlauch entleeren.

- Schutzdecke abnehmen, Kabel abtrennen, Auflagerflansch losschrauben und aus dem Gehäuse rausnehmen.
- Rohrheizkörper gegebenenfalls vom Kesselstein reinigen und die Kalkablagerungen aus dem Behälter entfernen.
- Alle Teile zusammenbauen, den Speicher mit Wasser füllen und einschalten.

In den Ausführungen mit einem Drainagestutzen reicht es aus, den Kaltwasserzulauf zum elektrischen Warmwasserspeicher abzustellen, den Stopfen am Drainagestutzen abzudrehen und den Warmwasserhahn zu öffnen. Wenn das Wasser abgelassen ist, kann man Kaltwasser zum elektrischen Warmwasserspeicher einige Zeit zulaufen lassen, damit der Behälter zusätzlich gespült wird.

Bei der Wartung des elektrischen Warmwasserspeichers durch ein Fachunternehmen ist im Wartungszettel der entsprechende Vermerk zu setzen.

12. STÖRUNGEN UND BEHEBUNG.

Störung	Ursache	Abhilfe
Druck des warmen Wasser im Speicher verminderte sich. Kaltwasserdruck unverändert geblieben	Einlaufverstopfung des Sicherheitsventils	Sicherheitsventil abnehmen und spülen
Verlängerte Aufheizzeit	Rohrheizkörper ist mit Kesselstein bedeckt	Flansch herausnehmen und Rohrheizkörper reinigen
	Spannungsabfall im Stromnetz	Wenden Sie sich an die Stromversorgungsstelle
Thermoschalter schaltet oft ein	Die vorgewählte Temperatur liegt dem oberen Grenzwert nah.	Mit der Taste «Temperature» Temperatur herunterstellen
	Thermostatrohr ist mit Kesselstein belegt.	Den Fußflansch aus dem elektrischen Warmwasserspeicher herausnehmen und den Kesselstein aus dem Rohr vorsichtig entfernen
Der elektrische Warmwasserspeicher ist im Betrieb, erwärmt jedoch das Wasser nicht	Das Ventil (Bild 1, Ziffer 8) ist nicht geschlossen oder ist ausgefallen	Das Ventil schließen oder austauschen (Bild 1, Ziffer 8)
Speicher ist eingeschaltet, aber heizt das Wasser nicht. Keine Anzeige am Bedienfeld	1) Keine Spannung im Stromnetz; 2) Netzkabel ist beschädigt.	1) Prüfen Sie, ob die Steckdose unter Spannung steht; 2) Wenden Sie an den Service-Dienst.

Die oben genannten Störungen sind keine Defekte des Speichers und können vom Benutzer selbst behoben werden

13. TRANSPORT UND LAGERUNG DER ELEKTRISCHEN WARMWASSERSPEICHER

Der Transport und die Lagerung der elektrischen Warmwasserspeicher soll in Übereinstimmung mit den auf der Verpackung angebrachten Handhabungshinweisen erfolgen:



— Feuchtigkeitsschutz;



— Vorsicht, fragile Ware;



— Empfohlene Lagerungstemperaturen: von +5°C bis zu +40°C;



— Richtige Senkrechtstellung der Ware.

14. ENTSORGUNG

Die Betriebsdauer des Speichers, die vom Hersteller festgelegt wird, beträgt 9 Jahre ab Verkaufsdatum, vorbehalten, dass alle Installations-, Betriebs- und Wartungsvorschriften eingehalten wurden und die Qualität des Betriebswassers den gültigen Normen entspricht.

Bei der Entsorgung des elektrischen Warmwasserspeichers sind lokale Umweltgesetze und -empfehlungen einzuhalten.

Der Hersteller behält sich das Recht vor, den Aufbau und die Eigenschaften des elektrischen Warmwasserspeichers ohne Voranmeldung zu ändern.

15. GARANTIE DES HERSTELLERS

Die Garantiezeit des Herstellers für Warmwasserspeicher beträgt ein Jahr. Die Garantiezeit für Bau- und Ersatzteile wie folgt:

- für Wasserbehälter (Innenbehälter) - 5 Jahre;
- für sonstige Bauteile (Heizkörper, Thermostat, Anzeigetaste, Dichtungen, Temperaturanzeige, Sicherheitsventil) - 2 Jahre.

Die Garantiezeit beginnt ab Verkaufsdatum. Wenn das Verkaufsdatum oder der Stempel des Händlers nicht vorhanden sind, läuft die Garantiezeit ab Herstellungsdatum. Die Information über Herstellungsdatum ist in einer unikalen Seriennummer auf dem am Gehäuse anmontierten ID-Schild verschlüsselt. Die Seriennummer besteht aus 13 Ziffern. Die dritte und die vierte Ziffer codieren das Jahr, fünfte und sechste - den

Monat, siebente und achte - Tag. Während der Garantiezeit werden Ansprüche angenommen, nur wenn die Bedienungsanleitung mit Vermerken des Händlers vorgelegt wird und der Schild am Gehäuse des Speichers vorhanden ist.

Die Garantie deckt nur den Warmwasserspeicher. Der Defekt des Sicherungsventils oder des Netzkabels führen nicht zum Austausch elektrischen Warmwasserspeichers. Die Verantwortung für die Einhaltung der Installations- und Anschlussvorschriften übernimmt der Benutzer (falls er die Installations- und Anschlussarbeiten selbst durchführt) oder die Installationsfirma, die den Speicher installiert und angeschlossen hat.

Bei der Installation und Bedienung des Speichers soll der Benutzer die Vorschriften, die eine einwandfreie Funktion des Speichers während der Garantiezeit sichern, einhalten:

- Sicherheitsmaßnahmen und Vorschriften zu Installation, Anschluss, Bedienung, Wartung, die in dieser Bedienungsanleitung aufgeführt sind, einhalten;
- Mechanische Beschädigungen durch nachlässige Lagerung, Transport und Installation ausschließen;
- Gefrieren von Wasser im Innenbehälter ausschließen;
- Wasser ohne mechanische Fremdstoffe und chemische Beimischungen beim Erwärmen verwenden (s. Ziffer 5);
- den Speicher mit dem fehlerfreien mitgelieferten Sicherheitsventil betreiben. (s. Ziffer 5).

Der Hersteller trägt keine Verantwortung für Mängel, die von der Verletzung der Anweisungen zu Installation, Bedienung und Wartung durch den Benutzer verursacht wurden, u.a. wenn die Mängel wegen unzulässigen Netzparameter des Netzanschlusses (Strom und Wasserleitung) oder durch Eingriff des Dritten entstanden sind. Die Garantie des Herstellers erstreckt sich nicht auf die Ansprüche auf das Äußere des Speichers.

Reparatur, Austausch von Bauteilen und Ersatzteilen während der Garantiezeit verlängern die gesamte Garantiezeit nicht. Die Garantie für ersetzte oder reparierte Bauteile und Ersatzteile beträgt einen Monat.

16. ANGABEN ZUM HERSTELLER

Hersteller:

Guangdong Weber Electric Appliances Co., Ltd.

D01, Jianye Road, Science and technology Industry Garden, Shunde High-tech Industries Zone, Ronggui, Shunde, Foshan, Guangdong, China.

Made in PRC

Alle Modelle sind gesetzlich zugelassen und entsprechen den Richtlinien: 2014/35/EU, 2014/30/EU, 2011/65/EU (RoHS).



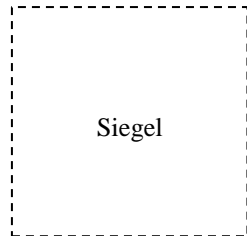
VERKAUF-VERMERK

Modell _____ Seriennr _____

Verkaufsdatum « ____ » _____ 20 ____ r.

Verkäufer: _____

Unterschrift des Vertreters
des Verkäufers _____



Die Ware ist komplett ausgestattet. Ich habe keine Ansprüche auf die Geräteübersicht. Ich habe die Bedienungsanleitung mit erforderlichen Vermerken bekommen. Ich habe die Gebrauchsanweisungen und Garantiebedingungen zur Kenntnis genommen und ihnen zuerkannt.

Unterschrift des Käufers _____



GEACHTE KOPER!

Wij feliciteren u van harte met de aankoop van boiler TTULPE. We zijn ervan overtuigd dat breed assortiment aan onze elektrische boilers voldoet aan alle Uw behoeften. Implementatie van moderne technologieën en materialen van de hoogste kwaliteit gedurende vervaardiging van toestellen hebben populariteit en vertrouwen bepaald voor handelsmerk TTULPE.

Electrische boilers TTULPE zijn ontwikkeld en geproduceerd streng in overeenstemming met de internationale standaarden, die betrouwbaarheid en veiligheid van exploitatie garanderen.

Deze handleiding geldt voor de volgende modellen van TTULPE: TTREV. Benaming van het model van door u aangekochte boiler staat in artikel 'Verkoopnota' en op het identificatiebordje op het lichaam van het apparaat.

1. BESTEMMING

Elektrische boiler (daarna in de tekst - EB) is bestemd voor voorziening met heet water van huishoudelijke en industriële objecten, die magistraal van koude watervoorziening hebben met nodige parameters.

EB moet geëxploiteerd worden in gesloten en verwarmde ruimtes en is niet bestemd voor het werk in doorstroomregime.

Electrische boiler (daarna in de tekst - EB) is bestemd voor voorziening met heet water van huishoudelijke en industriële objecten, die leidingen voor koud water hebben met de druk van niet minder dan 0.05 MPa en niet meer dan 0.75 MPa.

2. GELEVERDE SET

1. Boiler	1 stuk
2. Veiligheidsventiel type GP.....	1 stuk
3. Handleiding	1 stuk
4. Verpakking	1 stuk
5. Installatie kit	1 set

3. VOORNAAMSTE TECHNISCHE KARAKTERISTIEKEN

Voedingsspanning van alle types en modellen van EB moet zijn binnen de limieten van 220-240 V. Voedingsnetfrequentie is 50 Hz \pm 1 %. Volume van de binnentank en het vermogen van verwarmingselement staan op het identificatiebordje op het lichaam van de toestel. Draaddiameter van waterinlaat- en uitlaatmondstukken – G1/2.

De producent behoudt zich het recht voor om opties, constructie en karakteristieken van de boiler aan te passen zonder voorafgaande kennisgeving.

Markering	Gemiddelde opwarmtijd op $\Delta T=45^{\circ}\text{C}$ bij vermogen van 1,5 kWt
TTREV30	1 u. 03 min.
TTREV50	1 u. 45 min.
TTREV80	2 u. 48 min.
TTREV100	3 u. 30 min.

4. BESCHRIJVING EN WERKINGSPRINCIPE VAN EB

Buitenhulling van EB is vervaardigd uit staal. De binnentank heeft speciale coating – biokristallijn porselein, dat veilig de binnenkant beschermt tegen chemische corrosie. De ruimte tussen buitenomhulling en binnentanken is gevuld met polyurethaan – moderne, ecologisch pure thermische isolatie, die de beste karakteristieken heeft van warmtebesparing. Desbetreffende modellen hebben twee geschroefde spuitmonden: voor koud waterinlaat (Figuur 1, punt 3) met een blauwe ring en heet wateruitlaat (Figuur 1, punt 2) – met een rode ring. Op de voorkant van EB, in alle modellen, bevindt het bedieningspaneel zich (Figuur 1, punt 16).

Een buisvormige elektrische verwarmers (TEN) en thermostaat en thermoschakelsensoren zijn gemonteerd op een verwijderbare flens. TEN wordt gebruikt voor het verwarmen van water en wordt geregeld door een thermostaat, die een soepele temperatuurregeling tot $+75^{\circ}\text{C}$ heeft.

De veiligheidsklep (Figuur 1, punt 5) dient als terugstroomklep, waardoor wordt voorkomen dat het water uit de waterverwarmer het waterleidingnet binnendringt in geval van een daling van de druk in de laatstgenoemde en in gevallen van toename van de druk in de tank bij sterke waterverwarming evenals de functies van de veiligheidsklep, het ontlast de overdruk in de tank als het water sterk wordt verwarmd. Tijdens het gebruik van de boiler kan water uit de uitlaatpijpuitlaatpijp lekken om overmatige druk te ontlasten, wat voor de veiligheid van de boiler gebeurt. Deze uitlaatpijp moet open blijven voor de atmosfeer en permanent worden omlaag geïnstalleerd in de niet-vriesomgeving.

Het is noodzakelijk om de afvoer van water uit de uitlaatpijp van de veiligheidsklep (Figuur 1, punt 14) naar het rioleringsstelsel te waarborgen, met voldoende drainage voor de installatie van de EB (Figuur 1, punt 6).

Het is noodzakelijk om regelmatig (minimaal één keer per maand) een kleine hoeveelheid water via de afvoerpijp van de veiligheidsklep naar het rioleringsstelsel af te voeren om kalkhoudende afzettingen te verwijderen en de prestaties van de klep te testen. Om de klep te openen, is deze uitgerust met een hendel (Figuur 1, punt 15). Er moet voor worden gezorgd dat tijdens het gebruik van de EB deze hendel in een stand staat die het legen van water uit de tank afsluit.

5. AANWIJZINGEN VOOR VEILIGHEIDSMATREGELEN

De elektrische veiligheid van het EB is alleen gegarandeerd als er een effectieve aarding is uitgevoerd in overeenstemming met de huidige installatieregels voor elektrische installaties.

Sanitaire leidingen en afsluiters moeten voldoen aan de parameters van het waterleidingsnetwerk en beschikken over de nodige kwaliteitscertificaten.

Bij het installeren en bedienen van de EB is het niet toegestaan:

- de voeding aansluiten als het EB niet met water is gevuld;
- de beschermkap verwijderen wanneer de stroom is ingeschakeld;
- EB gebruiken zonder aarding;
- EVN opnemen in het waterleidingnetwerk met een druk van meer dan 0,75MPa;
- de EB met de watertoevoer verbinden zonder veiligheidsklep;
- het water uit het EB laten lopen wanneer de stroom is ingeschakeld;
- reserveonderdelen gebruiken die niet door de fabrikant zijn aanbevolen;
- water uit de EB gebruiken om te koken;
- water gebruiken dat mechanische onzuiverheden bevat (zand, kleine stenen), wat kan leiden tot verstoring van de EB en de veiligheidsklep.
- de ontwerp- en installatiedimensies van de EB-beugels veranderen.

De omgevingstemperatuur waarin het EVN wordt gebruikt, moet tussen 5°C en 40°C zijn. Invriezen van water in het EVN bij negatieve temperaturen leidt tot uitval van EB, hetgeen geen garantiegeval is.



Kinderen moeten worden aangestuurd om ervoor te zorgen dat ze niet met het EB spelen. Het EB is niet bestemd voor gebruik door personen (inclusief kinderen) met beperkte fysieke, tactiele of psychische vermogens, evenals door personen die de EB niet kunnen gebruiken, behalve wanneer het wordt gemonitord of geïnstrueerd door personen die verantwoordelijk zijn voor de veiligheid van de EB.

6. INSTALLATIE EN AANSLUITING

Alle installatie-, loodgieterij- en elektrische werkzaamheden moeten worden uitgevoerd door gekwalificeerd personeel.

7. PLAATSING EN INSTALLATIE

De installatie van het EB wordt uitgevoerd in overeenstemming met de markering op de behuizing en de volgende tabel:

Markering	Plaatsing
TTREV30	Verticale montage, aftakleidingen naar beneden; Horizontale montage, aftakkingen naar links
TTREV50	
TTREV80	
TTREV100	

Het wordt aanbevolen om de EB zo dicht mogelijk bij de plaats waar heet water wordt gebruikt, te installeren om warmteverliezen in de leidingen te verminderen.

Bij het boren (uitvoeren van) gaten in de muur moet rekening worden gehouden met de kabels, kanalen en leidingen die er doorheen gaan. Bij het kiezen van de installatieplaats moet rekening worden gehouden met het totale gewicht van de EB gevuld met water. De muur en de vloer met een zwak draagvermogen moeten dienovereenkomstig worden versterkt.

EB wordt gehangen aan de beugels van de behuizing aan de haken van de ankers, bevestigd in de muur. De installatie van haken in de muur zou spontane bewegingen van de EB-beugels erover moeten voorkomen.

Voor het onderhoud van de EB moet de afstand van de beschermkap tot het dichtstbijzijnde oppervlak in de richting van de as van de verwijderbare flens minstens 30 centimeter bedragen - voor alle modellen;



Om te voorkomen dat het eigendom van de consument en (of) derden wordt geschaad in het geval van storingen in het warmwatervoorzieningssysteem, is het noodzakelijk om de EB te installeren in ruimten met afdichtingvloeren en afvoer naar het rioleringsstelsel en in geen geval onder EB voorwerpen te plaatsen die vatbaar zijn voor effect van water. Wanneer de EB in een onbeschermd ruimte wordt geplaatst, is het noodzakelijk om een beschermende pallet onder de EB te installeren met afvoer in de riolering.

In het geval dat de EB wordt geplaatst op plaatsen die moeilijk toegankelijk zijn voor technische en garantieonderhoud (mezzanines, nissen, inter-plafondruimten, enz.), wordt de ontmanteling en installatie van de EB door de klant zelfstandig uitgevoerd, of op zijn kosten.

Opmerking: de pallet is niet inbegrepen bij de levering van de EB.

8. AANSLUITING BIJ WATERLEIDINGSSYSTEEM

Installeer de veiligheidsklep (Figuur 1, punt 5) bij de inlaat van koud water (Figuur 1, punt 3) gemarkeerd met een blauwe ring, draai hem 3,5 - 4 slagen, zorg voor een goede dichtheid met om het even welk afdichtingsmateriaal (vlas, FUM tape, enz.)

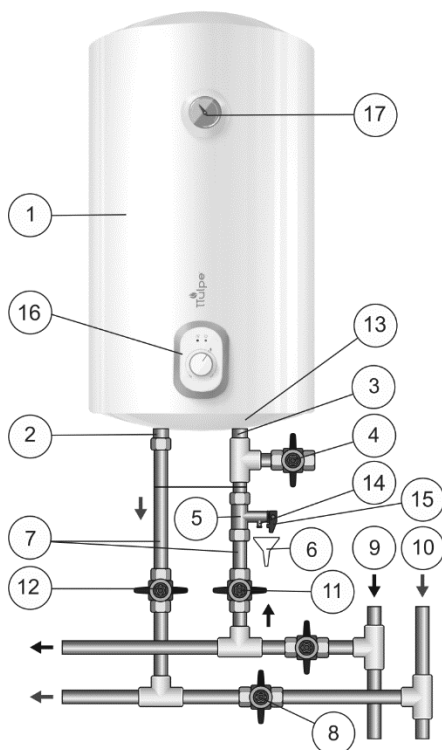


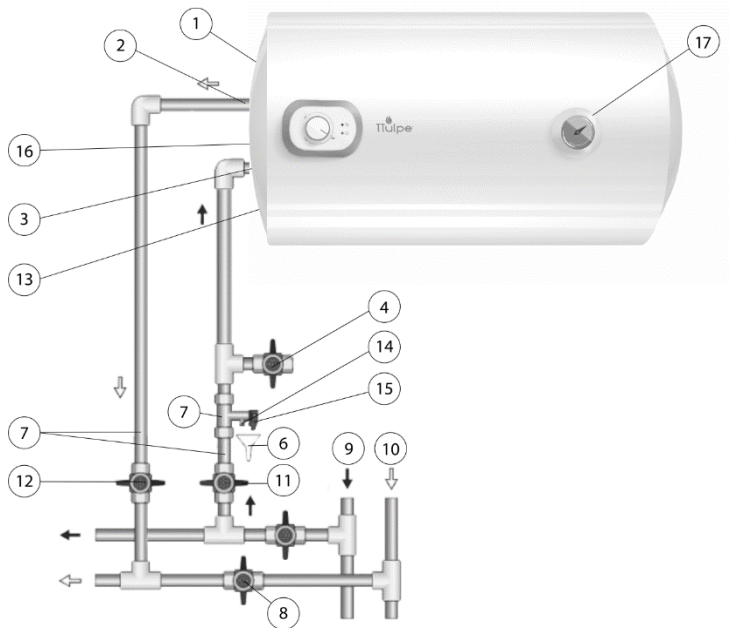
Het is verboden om de EB te gebruiken zonder veiligheidsklep of een klep van andere fabrikanten te gebruiken.

Tijdens de werking van de EB kunt u zien hoe de druppels van het afvoerkanal van de veiligheidsklep verschijnen (ontlasting van te hoge druk wanneer het water wordt verwarmd). Het wordt aanbevolen om een rubberen of siliconen nieuwe buis met de juiste diameter aan het drainagekanaal te bevestigen om vocht af te voeren.

De aansluiting op het watertoevoersysteem wordt gemaakt in overeenstemming met figuur 1, alleen met behulp van koperen, plastic of kunststof buizen, evenals speciaal flexibel sanitair. Het is verboden om een flexibele sanitair te gebruiken die vroeger werd gebruikt. Het wordt aanbevolen om water toe te voeren aan de EB via een modderfilter dat is geïnstalleerd op de koudwaterleiding (niet inbegrepen in de leveringsset).

Figuur 1. Schema van het aansluiten van de EB tot het watertoevoersysteem





Figuur 1: 1 – EB, 2 – heet water mondstuk, 3 – koud water mondstuk, 4 – afvoerklep, 5 – veiligheidsventiel, 6 – drainage naar de riolering, 7 – toevoer, 8 – sluit de klep tijdens het gebruik van de EB, 9 – koudwaterleiding, 10 – warmwaterleiding, 11 – koud water afsluitklep, 12 – warm water afsluitklep, 13 – beschermkap, 14 – uitlaatpijp van veiligheidsklep, 15 – handvat voor het openen van de veiligheidsklep, 16 – bedieningsknop, 17 – temperatuurindicator.

Open na het aansluiten de koudwatervoorzieningsklep (Figuur 1, punt 11) in de EB, de warmwaterkraan uit de EB (Figuur 1, punt 12) en de warmwaterkraan op de mixer om te zorgen voor luchtafvoer uit de boiler. Wanneer de EB met een continue straal uit de kraan van de mixer wordt volledig gevuld, stroomt koud water. Sluit de warmwaterkraan op de mixer af.

Bij aansluiting van de EB op plaatsen die niet zijn uitgerust met waterleidingen, is het toegestaan om water naar de EB te voeren vanuit een hulptank die zich op een hoogte van niet minder dan 5 meter van de bovenkant van de EB bevindt, of met behulp van een pompstation.

Opmerking: om het onderhoud van de EB tijdens het gebruik te vergemakkelijken, wordt het aanbevolen om een afvoerklep (Figuur 1, punt 4) te installeren in overeenstemming met Figuur 1 (voor modellen die niet zijn uitgerust met een afvoerpijp (niet inbegrepen bij de levering van de EB)).

Als de druk in de waterleiding groter is dan 0,75 MPa, dan is het bij de inlaat voor de EB noodzakelijk om een reductieventiel te installeren (niet inbegrepen in de levering van de EB) om de waterdruk naar normaal te verlagen.

9. INSCHAKKELEN VAN DE ELEKTRICITEIT



Voor het inschakelen van de elektriciteit zorg ervoor dat de EB is gevuld met water.

EB is voorzien van een netsnoer met een stekker.

Het stopcontact moet een aardingsklem hebben en op een plaats worden geplaatst die tegen vochtigheid wordt beschermd.

Capaciteit van het toestel is 1500 Watt. Het stopcontact en de bedrading moeten geschikt zijn voor een nominaal vermogen van minstens 1500W.

Steek de stekker in het stopcontact.

10. EXPLOITATIE

De EB wordt in-/uitgeschakeld door de indicatielijn op de bedieningsknop op de beschermkap van de boiler (Figuur 1, punt 16) naar de "OFF"-zone te draaien. De watertemperatuur in de binnentank wordt geregeld met de regelknop (Figuur 1, punt 16) in het waardebereik van "OFF" (minimumwaarden) tot "HIGH" (maximumwaarden). Het controlelampje geeft de bedrijfsmodus van de EB weer - het brandt als het water wordt verwarmd en gaat uit als de ingestelde temperatuur is bereikt.

11. TECHNISCH ONDERHOUD



Accumulatie van kalkaanslag op de TEN tijdens de exploitatie kan schade aan de TEN veroorzaken.

Opmerking: Schade aan verwarmingselementen als gevolg van de vorming van kalkaanslag valt niet onder de garantie. Regelmatig onderhoud is niet inbegrepen in de garantieverplichtingen van de fabrikant en de verkoper.

- Voor het uitvoeren van onderhoud, moet u het volgende doen:
- schakel de voeding naar de EB uit;
- laat het hete water afkoelen of gebruik het door een mixer;
- blokkeer de stroom van koud water naar de EB;
- draai de veiligheidsklep los of open de afvoerklep;
- plaats de rubberen slang op de koudwaterinlaat of de afvoerklep en laat het tweede uiteinde in de riolering lopen;
- open de warmwaterkraan op de mixer en tap het water uit de EB af via de slang in het riool;
- verwijder de beschermkap, ontkoppel de kabels, draai de steunflens los en verwijder hem uit de behuizing;

- maak de TEN schoon van het aanslag indien nodig en verwijder het bezinksel uit de tank;
- monteer, vul het EB met water en schakel de stroom in.

Bij modellen met een afvoerpijp is het voldoende om het koude water dat de EB binnendringt, te blokkeren, de plug van de afvoerpijp te verwijderen en de warmwaterkraan te openen. Nadat het water is samengevoegd, kunt u de toevoer van koud water een tijdje openen naar de EB voor extra reiniging van de tank.

Bij het uitvoeren van technisch onderhoud van de EB door een gespecialiseerde organisatie, moet in de servicecoupon een overeenkomstige markering worden aangebracht.

12. MOGELIJKE STORINGEN EN MANIEREN DEZE AAN TE PAKKEN.

Storing	Mogelijke reden	Manier van aanpak
De druk van heet water uit de EB nam af. Koudwaterdruk bleef hetzelfde	Verstopping van de inlaat van de veiligheidsklep	Verwijder de klep en spoel hem in water
Verhoogde verwarmingstijd	TEN werd bedekt met een laag afslag	Verwijder de flens en maak de TEN schoon
	De elektrische netspanning is afgenomen	Neem contact op met de betreffende service van elektrische bediening
Frequente werking van de thermische uitschakelknop	Ingestelde temperatuur ligt dicht bij de limiet	Verminder temperatuur met behulp van «Temperature»-knop
	De thermostaatbuis is bedekt met aanslag	Haal de steunflens uit EB en verwijder voorzichtig aanslag van de buis
EB werkt, maar verwarmt geen water	Ventiel (Figuur 1, punt 8) is niet afgesloten of is kapot	Sluit het ventiel af of vervang hem (Figuur 1, punt 8)
Ingeschakelde EB verwarmt geen water. Op het bedieningspaneel ontbreekt indicatie	1) Er is geen spanning in elektrisch netwerk; 2) Een netwerkkabel is beschadigd.	1) Controleer aanwezigheid van de stroom in het stopcontact; 2) Neem contact op met het gespecialiseerde service centrum.

De bovengenoemde storingen zijn geen gebreken van de EB en kunnen worden verbeterd door de gebruiker zelfstandig of op zijn rekening.

13. TRANSPORTERING EN BEWARING VAN ELECTRISCHE BOILERS

Transporteren en bewaring van elektrische boilers wordt gedaan in overeenstemming met de manipulatieve tekens op de verpakking:



— De noodzaak om de lading tegen vocht te beschermen;



— Breekbaarheid van lading, voorwaarde van zorgvuldige behandeling;



— Aanbevolen opslagtemperatuurbereik van lading: van +5°C tot +40°C;



— Juiste verticale positie van vracht.

14. UTILISATIE

In overeenstemming met de regels voor installatie, bediening, onderhoud van de EB en de conformiteit van de kwaliteit van het gebruikte water met de huidige normen, bepaalt de producent de levensduur van de EB tot 9 jaar.

Bij het afvoeren van de EB moeten de lokale milieuwetten en -aanbevelingen in acht worden genomen.

De fabrikant behoudt zich het recht voor om wijzigingen aan te brengen in het ontwerp en de specificaties van de EB zonder voorafgaande kennisgeving.

15. GARANTIES VAN PRODUCENT

De producent stelt de garantietermijn voor de boiler 2 jaar vast, terwijl de garantievoorwaarden voor de componenten en componenten als volgt zijn:

- voor een waterhoudende container (binnentank) - 5 jaar;
- voor andere componenten (verwarmingselement, thermostaat, indicatielampen, pakkingen, temperatuurindicator, veiligheidsklep) - 2 jaar.

De garantietermijn wordt berekend vanaf de verkoopdatum van de EB. Bij afwezigheid of correctie van de datum van verkoop en het stempel van de winkel, wordt de garantietermijn berekend vanaf de datum van uitgifte van de EB. De productiedatum van de boiler is gecodeerd in een uniek serienummer op het identificatieplaatje op de EB-behuizing. Het serienummer van de EB bestaat uit dertien cijfers. Het derde en vierde cijfer van het serienummer is het jaar van uitgifte, de vijfde en zesde is de maand van uitgave, de zevende en achtste zijn de dag van de release van de EB. Claims tijdens de garantietermijn worden geaccepteerd als deze handleiding beschikbaar is met de merken van de verkoper en het identificatieplaatje op de EB-behuizing.

De garantie is alleen van toepassing op de EB. Het uitvallen van de veiligheidsklep of het elektrische netsnoer zijn geen reden voor het vervangen van de EB. De verantwoordelijkheid voor de naleving van de installatie- en verbidingsregels ligt bij de koper (in geval van zelfaansluiting) of bij de installatieorganisatie die de verbinding tot stand heeft gebracht.

Bij het installeren en gebruiken van de EB moet de gebruiker voldoen aan de vereisten die zorgen voor een probleemloze werking van het apparaat tijdens de garantieperiode:

- de veiligheidsmaatregelen en regels voor installatie, aansluiting, bediening en onderhoud uitvoeren die in deze handleiding worden beschreven;
- mechanische schade door nalatige opslag, transport en installatie uitsluiten;
- bevriezing van water in de EB uitsluiten;
- voor verwarming in EB water zonder mechanische en chemische onzuiverheden gebruiken (zie artikel 5);
- de EB met een goed werkende veiligheidsklep uit de EB-afleverkit bedienen (zie artikel 5).

De producent is niet aansprakelijk voor eventuele tekortkomingen die het gevolg zijn van schending door de consument van de regels voor installatie, bediening en het onderhoud van de EB beschreven in deze handleiding, inclusief in gevallen waarin deze tekortkomingen zijn ontstaan door onaanvaardbare parameters van de netwerken (elektriciteit en watervoorziening) waarin de EB wordt geëxploiteerd en door tussenkomst van derden. Claims over het uiterlijk van de EB vallen niet onder de fabrieksgarantie.

Reparatie, vervanging van onderdelen en componenten binnen de garantieperiode verlengt de garantieperiode voor de EB als geheel niet. De garantieperiode voor vervangen of gerepareerde componenten is één maand.

16. INFORMATIE OVER DE PRODUCENT

Producent:

Guangdong Weber Electric Appliances Co., Ltd.

D01, Jianye Road, Science and technology Industry Garden, Shunde High-tech Industries Zone, Ronggui, Shunde, Foshan, Guangdong, China.

Made in PRC

Alle Modellen sind gesetzlich zugelassen und entsprechen den Richtlinien:

2014/35/EU, 2014/30/EU, 2011/65/EU (RoHS).



VERKOOPNOTA

Model _____ Serie nr _____

Verkoopdatum « ____ » _____ 20 ____

Firma-verkoper: _____

Handtekening van de vertegenwoordiger van
firma-verkoper _____

Stempel van
firma-verkoper

Het product is volledig geleverd, ik heb geen enkele aanspraak op het uiterlijk van het product. De handleiding met de nodige markeringen heb ik ontvangen, met de regels van de werking en de voorwaarden van de garantie ben ik bekend en ik ga ermee akkoord.

Handtekening van koper: _____



Avant la première utilisation du chauffe-eau électrique de stockage il est nécessaire de lire attentivement ce manuel d'utilisation

CHER CLIENT!

Félicitations pour votre achat du chauffe-eau électrique de stockage «TTULPE». Nous sommes sûrs que la gamme varié de nos chauffe-eaux satisfasse tous vos besoins. L'utilisation des technologies modernes et des matériaux de haute qualité pour la fabrication de nos appareils entraînent la popularité et la confiance de la marque de commerce TTULPE.

Le chauffe-eau est élaboré et fabriqué en parfaite conformité avec les normes nationales et internationales qui garantissent la crédibilité et la sécurité de fonctionnement.

Le présent manuel d'utilisation concerne les modèles TTULPE ci-après: TTREV. La dénomination complète de votre chauffe-eau est mentionnée dans le chapitre « Informations sur la vente » et sur la plaque d'identification sur le corps du chauffe-eau.

1. DESTINATION

Le chauffe-eau est destiné à la production de l'eau chaude dans les locaux sociaux et industriels équipés de tuyauterie d'approvisionnement en eau froide avec les paramètres nécessaires.

Le chauffe-eau doit être utilisé dans les locaux fermés chauffés et il n'est pas destiné à l'utilisation continue sous circulation.

Le chauffe-eau (ci-après – CHE) est destiné pour approvisionner de l'eau chaude des objets industriels et publics, ayant la canalisation d'eau froide avec la pression de 0,05 MPA minimum et 0,75 MPa maximum.

2. LOT DE LIVRAISON

1. Chauffe-eau	1 p.
2. Soupape de sûreté de type GP	1 p.
3. Manuel d'utilisation.....	1 p.
4. Emballage.....	1 p.
5. Trousse d'installation.....	1 lot

3. CARACTÉRISTIQUES TECHNIQUES PRINCIPALES

La tension d'alimentation de tous les types et modèles CHE doit être dans les limites de 220-240 V. La fréquence du réseau électrique d'alimentation 50 Hz \pm 1 %. Le volume du réservoir intérieur et la puissance de l'élément chauffant sont indiqués dans le tableau d'identification sur le corps de l'appareil. Le diamètre du filet des tuyaux de raccord pour l'entrée et la sortie de l'eau – G1/2.

Le fabricant se réserve le droit de modifier la construction et les caractéristiques du chauffe-eau sans avis préalable.

Tableau 1

Marquage	Temps de chauffe moyenné à $\Delta T=45^{\circ}\text{C}$ avec la puissance de 1,5 kWt
TTREV30	1 h. 03 min.
TTREV50	1 h. 45 min.
TTREV80	2 h. 48 min.
TTREV100	3 h. 30 min.

4. DESCRIPTION ET MODE DE FONCTIONNEMENT DU CHAUFFE-EAU

Le corps extérieur de CHE est fabriqué en matériau acier. Le réservoir intérieur a ont le revêtement spécial en bio verre-porcelaine, protégeant fermement la surface intérieure contre la corrosion chimique. L'espace entre le corps extérieur et les réservoirs intérieurs est rempli avec de la mousse polyuréthane - isolement calorifuge moderne, pure dans le sens écologique, ayant les meilleures caractéristiques pour conserver la chaleur. Les modèles donnés ont deux tuyaux de raccord à visse: pour faire entrer l'eau froide (Figure 1, point 3) avec l'anneau bleu, et pour faire sortir l'eau chaude (Figure 1, point 2) – avec l'anneau rouge. Sur le côté de face de CHE dans tous les modèles il y a le panneau de commande (Figure 1, point 16).

Sur la bride rapportée on a monté le radiateur de chauffage électrique tubulaire (CET) et les capteurs du thermostat et du thermocommutateur. CET sert pour chauffer l'eau et est commandé par le thermostat, ayant le réglage doux de température jusqu'à $+75^{\circ}\text{C}$.

La soupape de sûreté accomplit les fonctions du clapet de non-retour en empêchant l'infiltration de l'eau du chauffe-eau au réseau de distribution en cas de chute de la pression dans le réseau et en cas d'augmentation de la pression dans le réservoir lors du chauffage, ainsi que les fonctions du clapet de protection en diminuant la pression dans le réservoir lors du chauffage. Lors du fonctionnement du chauffe-eau l'eau peut couler du tuyau d'échappement de la soupape de sûreté pour la décompression par mesure de sécurité. Ce tuyau d'échappement de la soupape de sûreté doit être ouvert et être installé vers le bas et dans l'environnement incongélable.

Il faut assurer l'évacuation de l'eau du tuyau d'échappement de la soupape de sûreté (Figure 1, point 14) vers la canalisation en prévoyant le drainage concerné lors du montage (Figure 1, point 6).

Il est indispensable de purger un peu d'eau régulièrement (une fois par mois au moins) à travers le tuyau d'échappement de la soupape de sûreté vers la canalisation pour éliminer les dépôts calcaires et pour vérifier la capacité de fonctionnement de la soupape. La soupape est équipée de poignée pour ouvrir (Figure 1, point 15). Il faut vérifier pour que cette poignée soit en position de fermeture du réservoir lors du chauffe-eau.

5. MESURES DE SÉCURITÉ

La sécurité électrique du chauffe-eau est garantie en cas de mise à la terre effective réalisée conformément aux règles de montage en vigueur des installations électriques.

Les tuyaux sanitaires et la robinetterie d'arrêt doivent être conformes aux paramètres du réseau de distribution de l'eau et avoir des certificats nécessaires.

Lors du montage et de l'utilisation du chauffe-eau il est interdit de:

- alimenter l'électricité, si le chauffe-eau n'est pas rempli avec de l'eau ;
- enlever le couvercle de protection en cas d'alimentation électrique branchée ;
- utiliser le chauffe-eau sans mise à la terre;
- connecter le chauffe-eau au réseau de distribution d'eau avec la pression de plus de 0,75 MPa;
- connecter le chauffe-eau au réseau de distribution d'eau soupape de sûreté;
- purger de l'eau du chauffe-eau en cas d'alimentation électrique branchée ;
- utiliser les pièces de rechange non recommandées par le fabricant ;
- utiliser l'eau du chauffe-eau pour préparer le repas ;
- utiliser l'eau avec des impuretés mécaniques (sable, petites pierres) qui peuvent déroger le fonctionnement du chauffe-eau et de la soupape de sûreté
- modifier la construction et les dimensions des supports du chauffe-eau .

la température de l'environnement de l'utilisation du chauffe-eau doit être dans la limite de 5°C jusqu'à 40°C. La congélation de l'eau dans le chauffe-eau sous température négative entraîne son dysfonctionnement qui n'est pas couvert par la garantie



Les enfants ne doivent pas jouer avec le chauffe-eau. Le chauffe-eau n'est pas destiné à l'utilisation par les personnes (y compris enfants) dont les capacités physiques, sensibles ou psychiques sont réduites et par les personnes qui ne savent pas utiliser le chauffe-eau, sauf les cas de l'utilisation sous le contrôle ou selon les instructions des personnes responsables de la sécurité du chauffe-eau

6. INSTALLATION ET CONNEXION

Tous les travaux de montage, sanitaires et électromécaniques doivent être effectués par le personnel qualifié.

7. PLACEMENT ET INSTALLATION

L'installation du chauffe-eau est effectuée conformément au marquage sur le corps et au tableau suivant :

Marquage	Placement
TTREV30	Montage vertical; tuyaux de raccord vers le bas; Montage horizontal, tuyaux de raccord vers le gauche
TTREV50	
TTREV80	
TTREV100	

Il est recommandé d'installer le chauffe-eau près du lieu de l'utilisation de l'eau chaude pour diminuer les pertes de la chaleur dans les tuyaux.

Lors du perçage des murs il faut prendre en considération les câbles, les canaux et les tuyaux. En choisissant le lieu du montage il faut prendre en considération le poids total du chauffe-eau rempli avec de l'eau. Il faut renforcer le mur et le plancher de capacité du chargement.

Le chauffe-eau est suspendu sur le support du corps à l'aide des chevilles fixées contre le mur. Le montage des crochets doit exclure le déplacement spontané des supports du chauffe-eau.

Pour l'entretien du chauffe-eau la distance entre le couvercle de protection et la surface la plus proche dans la direction de la flasque de serrage doit être de 30 centimètres.



Pour éviter les dommages aux biens de l'utilisateur et (ou) des tiers en cas des défauts du système de distribution de l'eau chaude, il faut monter le chauffe-eau dans les locaux avec l'isolation hydrofuge des planchers et le drainage dans la canalisation, il est interdit de placer les objets vulnérables par eau sous le chauffe-eau. En disposant le chauffe-eau dans les locaux non protégés il faut installer le plateau de protection sous le chauffe-eau (ne fait pas partie du lot de livraison du chauffe-eau) avec le drainage dans la canalisation.

En disposant le chauffe-eau dans les endroits non accessibles pour l'entretien technique et de garantie (entresols, niches, espaces de plafond etc), le consommateur effectue le montage et le démontage du chauffe-eau lui-même.

Remarque: le plateau de protection ne fait pas partie du lot de livraison de CHE.

8. CONNEXION AU RÉSEAU DE DISTRIBUTION DE L'EAU

Installer la soupape de sûreté (Figure 1, point 5) à l'entrée de l'eau froide (anneau bleu) de 3,5 - 4 tours, en assurant l'étanchéité de la connexion (lin, bande etc).

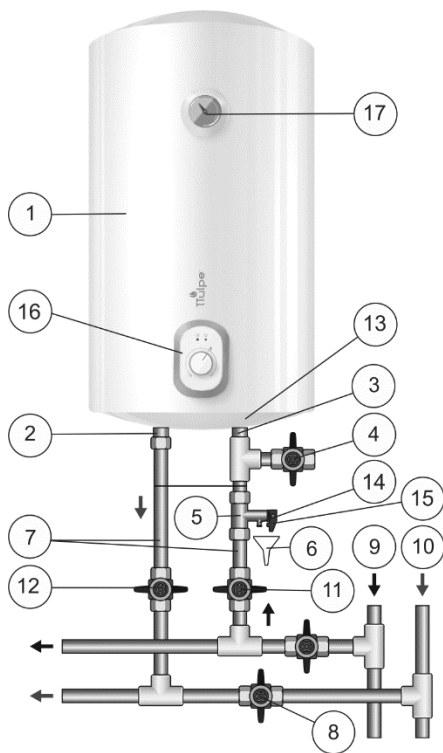


Il est interdit d'utiliser le chauffe-eau sans soupape de sûreté ou utiliser les soupapes de sûreté d'autres fabricants.

Pendant l'exploitation de CHE vous pouvez observer l'apparition des gouttes du bec draineur de la soupape de sécurité (décharge de la surpression au chauffage d'eau). Il est recommandé de connecter au bec draineur le tube en caoutchouc ou en silicone avec le diamètre correspondant pour évacuer l'eau.

La connexion au réseau de distribution de l'eau est effectuée conformément à la figure 1 à l'aide des tuyaux en cuivre, métaloplastique et plastique et des tuyaux flexibles sanitaires. Il est interdit d'utiliser les tuyaux flexibles usés. Il est recommandé d'amener l'eau dans CHE par le filtre collecteur de boue installé sur la conduite de l'eau froide (ne fait pas partie du lot de livraison).

Figure 1. Schéma de connexion de CHE à la canalisation d'eau



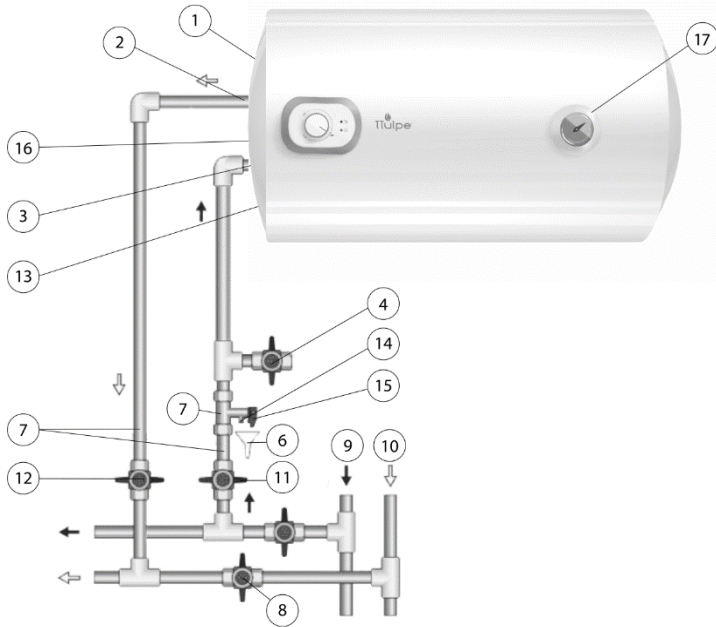


Figure 1: 1 – Chauffe-eau, 2 – Tuyau de connexion de l’eau chaude, 3 – Tuyau de connexion de l’eau froide, 4 – Soupape de purge, 5 – Soupape de sûreté, 6 – Drainage aux égouts, 7 – Tuyauterie d’amenée, 8 – Fermer le robinet d’arrêt pendant l’exploitation du chauffe-eau, 9 – Tuyauterie d’approvisionnement en eau froide, 10 – Tuyauterie d’approvisionnement en eau chaude, 11 – Robinet d’arrêt de l’amenée de l’eau froide, 12 – Robinet d’arrêt de l’amenée de l’eau chaude, 13 – Couvercle de protection, 14 – tuyau d’échappement de la soupape de sécurité, 15 – manche pour ouvrir la soupape de sécurité, 16 – bouton de commande, 17 – indicateur de température.

Après la connexion ouvrez le robinet d’amenée de l’eau froide l’eau (Figure 1, point 11) dans le chauffe-eau, le robinet de sortie de l’eau chaude du chauffe-eau (Figure 1, point 12) et le robinet de l’eau chaude du mélangeur pour assurer l’évacuation de l’air du chauffe-eau. Quand le chauffe-eau aura été rempli, l’eau coulera du robinet. Fermez le robinet de l’eau chaude du mélangeur.

Lors de l’installation du chauffe-eau dans les endroits sans réseau de distribution de l’eau il est admis d’amener l’eau du réservoir complémentaire en utilisant la station de pompage ou du réservoir situé à la hauteur de 5 m au moins du point le plus haut du chauffe-eau.

Attention: Pour faciliter le service du chauffe-eau pendant l’opération il est recommandé d’installer la soupape de purge (Figure 1, point 4) conformément au dessin 1 (pour les modèles non équipés par le tuyau de raccord d’évacuation (ne fait pas partie du lot de livraison de CHE)).

Si la pression dans le réseau de distribution de l'eau dépasse 0.75 MPa, il faut installer la soupape concernée (ne fait pas partie du lot de livraison de CHE) de réduction de la pression de l'eau froide jusqu'à la norme à l'entrée de l'eau froide dans le chauffe-eau avant la soupape de sûreté.

9. CONNEXION AU RÉSEAU ÉLECTRIQUE



Avant de brancher l'alimentation électrique assurez que le chauffe-eau est rempli avec de l'eau.

Le chauffe-eau est équipé de câble du réseau avec la fiche.

La prise électrique doit avoir le contact de mise à la terre et être disposée dans un endroit protégé contre l'infiltration de l'eau

La puissance de l'appareil fait 1500 Wt. La prise de courant et le câblage électrique y connecté doivent être désignés pour la puissance nominale de 1500 Wt au moins.

Faire glisser la fourchette dans la prise de courant.

10. OPÉRATION

CHE est allumé/éteint en tournant la ligne indicatrice du bouton de commande situé sur le couvercle de protection du chauffe-eau (Figure 2, point 16) sur la zone «OFF». La température de l'eau dans le réservoir intérieur est réglée à l'aide du bouton de commande (Figure 2, point 16) dans la plage de valeurs de «OFF» (valeurs minimales) à «HIGH» (valeurs maximales). Le voyant de contrôle affiche le mode de fonctionnement de CHE - il s'allume lorsque l'eau est chauffée et s'éteint lorsque la température réglée est atteinte.

11. ENTRETIEN



La formation des dépôts sur le chauffe-eau tubulaire peut entraîner sa détérioration.

NOTE : La détérioration du chauffe-eau tubulaire à cause des dépôts n'est pas couverte par la garantie. L'entretien régulier ne fait pas partie des obligations contractuelles du fabricant et du vendeur.

Pour l'entretien il faut effectuer les opérations suivantes ::

- Débrancher l'alimentation électrique du chauffe-eau.;
- Laisser refroidir l'eau chaude ou purger à travers le mélangeur;
- Fermer l'amenée de l'eau froide dans le chauffe-eau.;
- Dévisser la soupape de sûreté ou ouvrir la soupape de purge;
- Connecter le tuyau en caoutchouc au tuyau d'amenée de l'eau froide, diriger le deuxième bout dans la canalisation;

- Ouvrir le robinet de l'eau chaude du mélangeur et purger l'eau du chauffe-eau à travers le tuyau dans la canalisation;
- Enlever le couvercle, débrancher les fils, dévisser et retirer la bride de fixation du corps;
- Nettoyer si nécessaire le chauffe-eau tubulaire et éliminer les dépôts du réservoir;
- Faire le montage, remplir le chauffe-eau avec de l'eau et brancher l'alimentation.

Dans les modèles équipés du tuyau draineur il suffit d'arrêter l'amenée de l'eau froide dans CHE, dévisser le bouchon sur le tuyau draineur et ouvrir le robinet de l'eau chaude. Quand l'eau sera évacuée vous pouvez ouvrir l'amenée de l'eau froide à CHE pour quelque temps pour réaliser le lavage supplémentaire du réservoir.

Lors de l'entretien du chauffe-eau par le service spécialisé le personnel fait l'inscription concernée dans le bon de service.

12. DÉFAILLANCES POSSIBLES ET MÉTHODES DE LEUR ÉLIMINATION.

Défaillance	Cause possible	Méthode de l'élimination
Diminution de la pression d'eau dans le chauffe-eau La pression d'eau est conservée	Obstruction de l'orifice d'aspiration de la soupape de sûreté	Enlevez la soupape et la lavez à l'eau
Augmentation du temps de chauffage	Couche des dépôts dans le chauffe-eau tubulaire	Démontez la flasque de serrage et nettoyez le chauffe-eau de calcin
	Diminution de la tension du réseau	Appelez au service d'exploitation du réseau électrique
Déclenchement fréquent du thermocommutateur	La température établie est près de la température limite	A l'aide du bouton «Temperature» réduire la température
	Le tube du dispositif de régulation thermostatique a des traces de dépôts	Sortir de CHE la bride d'appui et nettoyer soigneusement le tuyau de la crasse.
CHE marche mais ne chauffe pas l'eau	Le robinet (Figure 1, point 8) n'est pas fermé ou est en panne.	Fermer ou remplacer le robinet (Figure 1, point 8)

Le chauffe-eau branché au réseau électrique ne chauffe pas l'eau. Il n'y a pas d'affichage sur le panneau de commande	1) Il n'y a pas de tension dans le réseau électrique; 2) Le fil de réseau est endommagé.	1) Contrôlez la présence de la tension dans la prise de courant électrique; 2) Adressez-vous au centre de service spécialisé.
---	---	--

Les défaillances mentionnées ne sont pas les défauts du chauffe-eau et elles sont éliminées par l'utilisateur ou par les services spécialisés pour le compte de l'utilisateur.

13. TRANSPORT ET STOCKAGE DES CHAUFFE-EAUX ELECTRIQUES

Transport et stockage des chauffe-eaux électriques se réalisent en conformité des symboles de manipulation sur l'emballage:



— Nécessité de protéger le produit contre l'humidité;



— Fragilité du produit, condition de manipulation prudente;



— Gamme de température recommandée pour le stockage des produits: de +5°C à +40°C;



— Position verticale régulière du produit.

14. RÉCUPÉRATION

En cas de respect des règles de l'utilisation, de l'installation et de l'entretien du chauffe-eau et de conformité de la qualité de l'eau utilisée aux normes en vigueur, le fabricant établit le délai de service de 9 ans dès l'achat du chauffe-eau

Pendant l'utilisation de CHE il est nécessaire de respecter les lois écologiques locales et les recommandations.

Le fabricant se réserve le droit de modifier la construction et les caractéristiques du chauffe-eau sans avis préalable.

15. GARANTIES DU FABRICANT

Le fabricant établit le délai de garantie du chauffe-eau de 2 an, avec cela le délai de garantie des composants sont :

- réservoir (intérieur) - 5 ans;
- d'autres composants (élément chauffant, dispositif de régulation thermostatique, lampes-indicateurs, joints, indicateur de la température, soupape de sûreté) -2 an.

Le délai de garantie est calculé à partir de la date de vente du chauffe-eau. En cas d'absence ou de correction de la date de vente et du cachet du magasin, le délai de garantie est calculé à partir de la date du chauffe-eau. Date de fabrication du chauffe-eau est chiffré dans le numéro de série original sur la plaque d'identification de la couvercle du corps du chauffe-eau. Le numéro de série du chauffe-eau se compose de treize chiffres. Le troisième et le quatrième chiffre du numéro de série est l'année de fabrication, le cinquième et le sixième — le mois de fabrication, le septième et le huitième — le jour de fabrication du chauffe-eau. Toutes les réclamations pendant la période de garantie sont acceptées sous réserve de présentation ce manuel d'utilisation avec les marques de la firme productrice et la plaque d'identification sur le corps du chauffe-eau.

La garantie ne couvre que le chauffe-eau. La panne de la soupape de sécurité ou bien du fil d'alimentation ne donnent pas droit au remplacement de CHE. L'acheteur (en cas de connexion par l'utilisateur) ou le service de montage sont responsables du respect des règles de l'installation et de la connexion.

Lors de l'installation et de l'utilisation du chauffe-eau l'utilisateur est obligé de respecter les exigences assurant le travail sans panne pendant la durée de garantie :

- effectuer les mesures de sécurité et les règles de l'installation, de la connexion, de l'utilisation et l'entretien mentionnés dans le présent manuel;
- exclure les détériorations mécaniques lors du stockage, du transport et du montage;
- exclure les détériorations de l'appareil suite à congélation de l'eau dedans;
- utiliser pour le chauffage l'eau sans additions mécaniques et chimiques (à voir le paragraphe 5).
- utiliser le chauffe-eau avec la soupape de sûreté en bon état du lot de la livraison du chauffe-eau (à voir le paragraphe 5).

Le fabricant n'est pas responsable des défauts à cause de la violation par le consommateur des règles de l'utilisation, de l'installation et de l'entretien du chauffe-eau mentionnées dans le présent manuel (y compris à cause des paramètres inadmissibles du réseau électrique et de distribution de l'eau) et à cause de l'intervention des tiers. Les réclamations de l'aspect général du chauffe-eau ne sont pas couvertes par la garantie.

La réparation et le remplacement des composants pendant le délai de garantie ne prolonge pas la durée de garantie en général. Le délai de garantie des composants réparés ou remplacés est d'un mois.

16. FABRICANT

FR

Fabricant:

Guangdong Weber Electric Appliances Co., Ltd.

D01, Jianye Road, Science and technology Industry Garden, Shunde High-tech Industries Zone, Ronggui, Shunde, Foshan, Guangdong, China.

Made in PRC

Tous les modèles sont certifiés et sont conformes aux dispositions du Règlement technique de l'Union douanière: 2014/35/EU, 2014/30/EU, 2011/65/EU (RoHS).



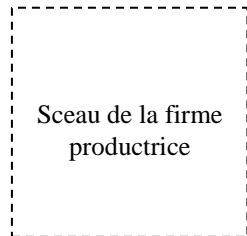
MARQUE DE VENTE

Modèle _____ N° de série _____

Date de vente « _____ » _____ 20 _____ r.

Firme productrice: _____

Signature de l'agent
de la firme productrice _____



Le produit est complété, je n'ai aucune prétention par rapport à l'apparence du produit. Le manuel d'utilisation aux marques nécessaires reçu, les règles d'exploitation et les conditions de garantie lus et approuvés.

Signature du Client: _____



**WARRANTY CERTIFICATE 1 / TAGLIANDO DI GARANZIA 1 /
GARANTIEZETTEL 1 / GARANTIEKAART 1 / BON DE GARANTIE 1**

Model / Modello / Ausführung / Model / Modèle		Dealer's seal / Timbro del venditore / Siegel des verkäufers / Stempel van firma verkoper / Sceau de la firme productrice
Serial No. / Numero di matricola / Serie / Serie nr / Numéro de série		
Date of sale / Data di vendita / Verkaufsdatum / Verkoopdatum / Date de vente		
Dealer / Empresa-vendedor / Verkäufer / Firma verkoper / Firme productrice		

To be filled by the dealer / Timbro del venditore / Wird von dem verkäufer ausgefüllt / Wordt ingevuld door firma-
verkoper / À remplir uniquement par la firme productrice



**WARRANTY CERTIFICATE 2 / TAGLIANDO DI GARANZIA 2 /
GARANTIEZETTEL 2 / GARANTIEKAART 2 / BON DE GARANTIE 2**

Model / Modello / Ausführung / Model / Modèle		Dealer's seal / Timbro del venditore / Siegel des verkäufers / Stempel van firma verkoper / Sceau de la firme productrice
Serial No. / Numero di matricola / Serie / Serie nr / Numéro de série		
Date of sale / Data di vendita / Verkaufsdatum / Verkoopdatum / Date de vente		
Dealer / Empresa-vendedor / Verkäufer / Firma verkoper / Firme productrice		

To be filled by the dealer / Timbro del venditore / Wird von dem verkäufer ausgefüllt / Wordt ingevuld door firma-
verkoper / À remplir uniquement par la firme productrice

Date of acceptance / Data di ricezione / Aufnahmedatum / Datum van ontvangst / Date d'acceptance		Stamp of service center / Timbro del centro di assistenza / Siegel des servicebetriebs / Stempel van servicecentrum / Sceau du service client
Issue date / Data do consegna / Ausgabedatum / Datum van uitgifte / Date de délivrance		
Defect / Difetto / Defekt / Gebrek / Défait		
Executed work / Lavori eseguiti / Durchgeführte Arbeiten / Gedane werkzaamheden / Travail produit		
Expert (full name) / Tecnico / Fachspezialist (name) Vakkundige (naam) / Réparateur (nom, prénom)		

Filled in by service center / Riservato al centro di assistenza / Wird von dem Servicebetrieb ausgefüllt / Wordt ingevuld door het servicecentrum / À remplir uniquement par le service client

Date of acceptance / Data di ricezione / Aufnahmedatum / Datum van ontvangst / Date d'acceptance		Stamp of service center / Timbro del centro di assistenza / Siegel des servicebetriebs / Stempel van servicecentrum / Sceau du service client
Issue date / Data do consegna / Ausgabedatum / Datum van uitgifte / Date de délivrance		
Defect / Difetto / Defekt / Gebrek / Défait		
Executed work / Lavori eseguiti / Durchgeführte Arbeiten / Gedane werkzaamheden / Travail produit		
Expert (full name) / Tecnico / Fachspezialist (name) Vakkundige (naam) / Réparateur (nom, prénom)		

Filled in by service center / Riservato al centro di assistenza / Wird von dem Servicebetrieb ausgefüllt / Wordt ingevuld door het servicecentrum / À remplir uniquement par le service client



**WARRANTY CERTIFICATE 3 / TAGLIANDO DI GARANZIA 3 /
GARANTIEZETTEL 3 / GARANTIEKAART 3 / BON DE GARANTIE 3**

Model / Modello / Ausführung / Model / Modèle		Dealer's seal / Timbro del venditore / Siegel des verkäufers / Stempel van firma verkoper / Sceau de la firme productrice
Serial No. / Numero di matricola / Serie / Serie nr / Numéro de série		
Date of sale / Data di vendita / Verkaufsdatum / Verkoopdatum / Date de vente		
Dealer / Empresa-vendedor / Verkäufer / Firma verkoper / Firma productrice		

To be filled by the dealer / Timbro del venditore / Wird von dem verkäufer ausgefüllt / Wordt ingevuld door firma-
verkoper / À remplir uniquement par la firme productrice



**WARRANTY CERTIFICATE 4 / TAGLIANDO DI GARANZIA 4 /
GARANTIEZETTEL 4 / GARANTIEKAART 4 / BON DE GARANTIE 4**

Model / Modello / Ausführung / Model / Modèle		Dealer's seal / Timbro del venditore / Siegel des verkäufers / Stempel van firma verkoper / Sceau de la firme productrice
Serial No. / Numero di matricola / Serie / Serie nr / Numéro de série		
Date of sale / Data di vendita / Verkaufsdatum / Verkoopdatum / Date de vente		
Dealer / Empresa-vendedor / Verkäufer / Firma verkoper / Firma productrice		

To be filled by the dealer / Timbro del venditore / Wird von dem verkäufer ausgefüllt / Wordt ingevuld door firma-
verkoper / À remplir uniquement par la firme productrice

Date of acceptance / Data di ricezione / Aufnahmedatum / Datum van ontvangst / Date d'acceptance		Stamp of service center / Timbro del centro di assistenza / Siegel des servicebetriebs / Stempel van servicecentrum / Sceau du service client
Issue date / Data do consegna / Ausgabedatum / Datum van uitgifte / Date de délivrance		
Defect / Difetto / Defekt / Gebrek / Défait		
Executed work / Lavori eseguiti / Durchgeführte Arbeiten / Gedane werkzaamheden / Travail produit		
Expert (full name) / Tecnico / Fachspezialist (name) Vakkundige (naam) / Réparateur (nom, prénom)		

Filled in by service center / Riservato al centro di assistenza / Wird von dem Servicebetrieb ausgefüllt / Wordt ingevuld door het servicecentrum / À remplir uniquement par le service client

Date of acceptance / Data di ricezione / Aufnahmedatum / Datum van ontvangst / Date d'acceptance		Stamp of service center / Timbro del centro di assistenza / Siegel des servicebetriebs / Stempel van servicecentrum / Sceau du service client
Issue date / Data do consegna / Ausgabedatum / Datum van uitgifte / Date de délivrance		
Defect / Difetto / Defekt / Gebrek / Défait		
Executed work / Lavori eseguiti / Durchgeführte Arbeiten / Gedane werkzaamheden / Travail produit		
Expert (full name) / Tecnico / Fachspezialist (name) Vakkundige (naam) / Réparateur (nom, prénom)		

Filled in by service center / Riservato al centro di assistenza / Wird von dem Servicebetrieb ausgefüllt / Wordt ingevuld door het servicecentrum / À remplir uniquement par le service client

